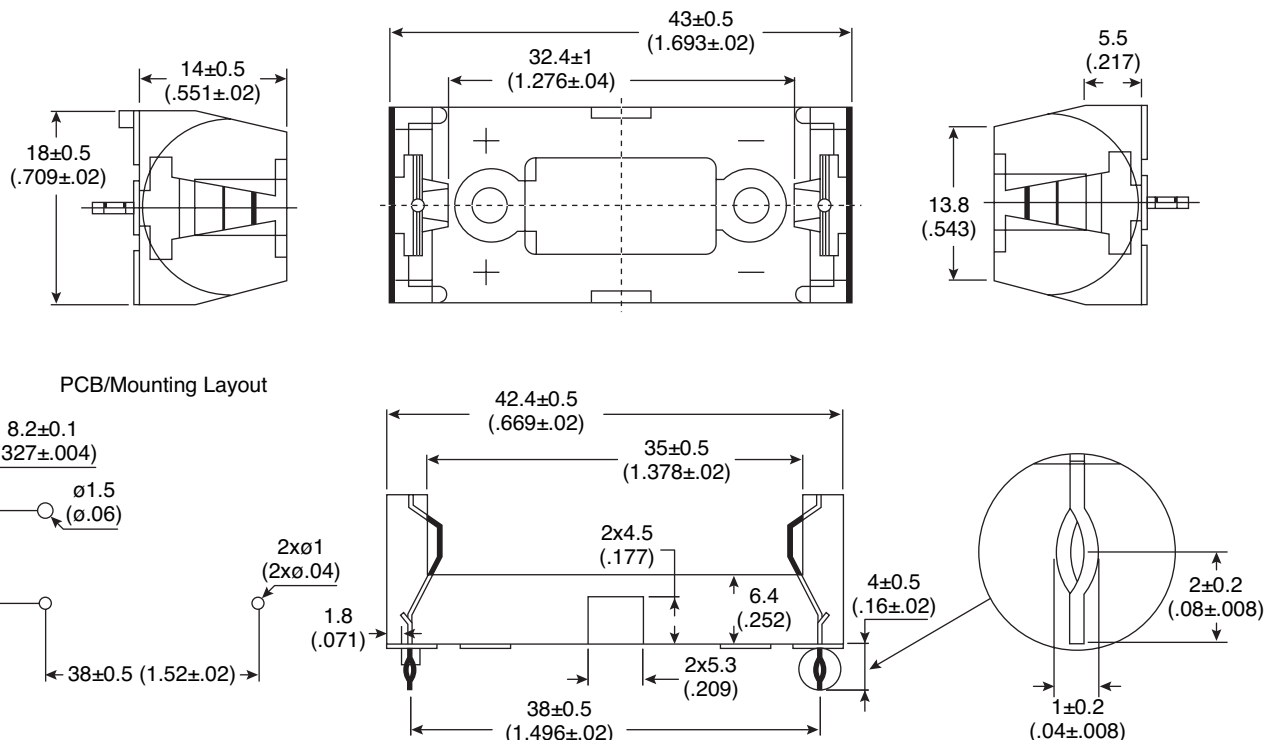


Date Last Revised: 6-30-05



Dimensions: mm (In.)

SPECIFICATIONS	
Material:	ABS Resin, Black Color
Contact:	0.3mm Spring Steel Nickel Plated

Available from Mouser Electronics
 1-800-346-6873
 www.mouser.com

EPD-200056

Specifications are subject to change without notice. No liability or warranty implied by this information. Environmental compliance based on producer documentation.