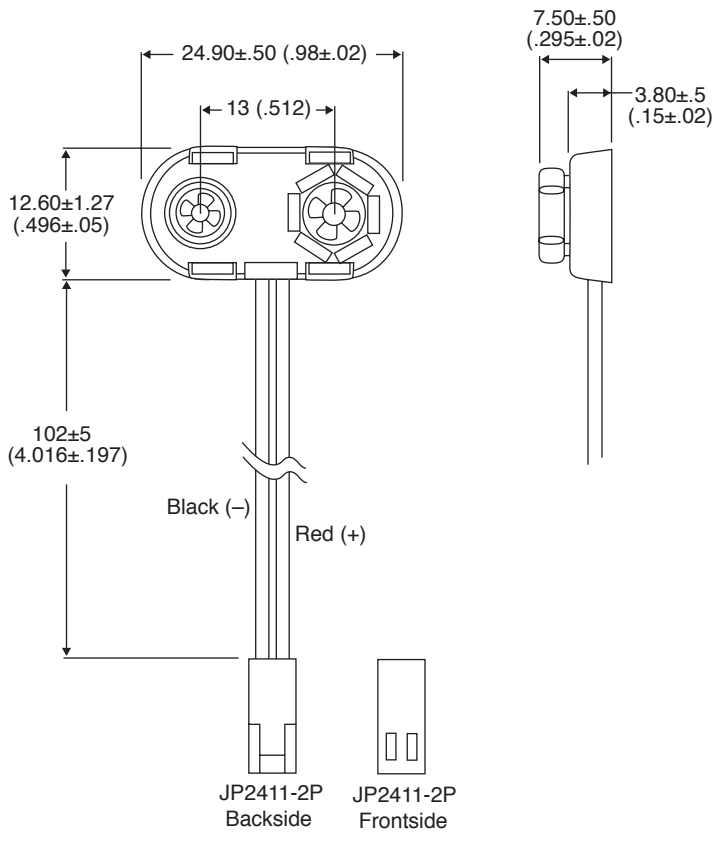


Date Last Revised: 10-25-05



Dimensions: mm (In.)

SPECIFICATIONS	
Wire:	AWG26, Black and Red: 102mm \pm 5mm
Terminal:	6 Prong Snap
Material:	A.B.S. Resin, Black
With J24111-2 BS-2 Terminal and JP2411-2P Housing (2510)	
Mates with Molex P/N 22-11-2022	

Available from Mouser Electronics
 1-800-346-6873
 www.mouser.com

EPD-200386

Specifications are subject to change without notice. No liability or warranty implied by this information. Environmental compliance based on producer documentation.