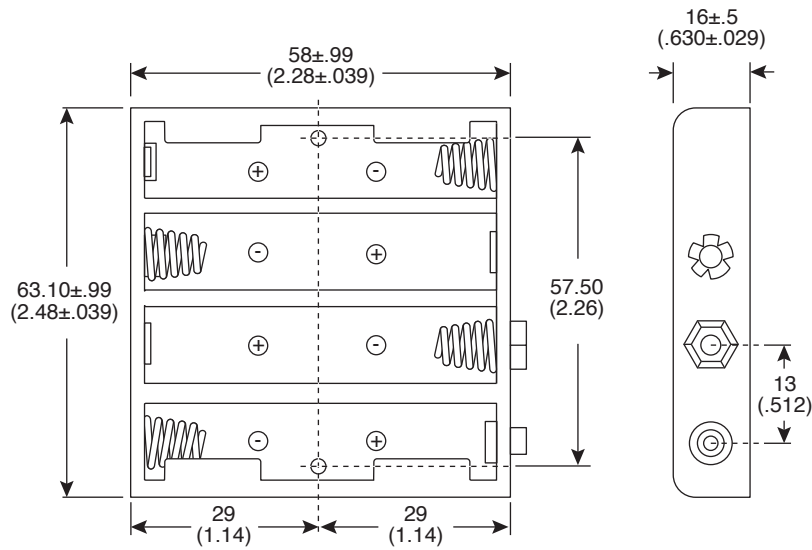
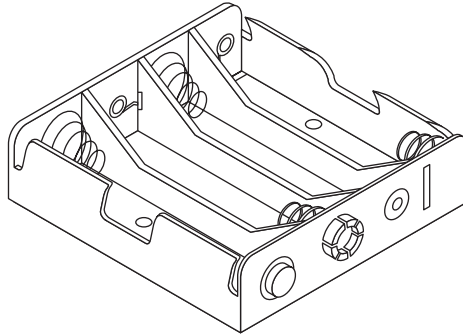


Date Last Revised: 7-28-05



Dimensions: mm (In.)

SPECIFICATIONS	
Type:	4 "AA" Cell with 6 Prong Mini Snaps
Spring:	.028, 65C Spring Wire
Snaps:	Copper
Body:	Polypropylene (P.P.) Resin
Color:	Black

Available from Mouser Electronics
1-800-346-6873
www.mouser.com

EPD-200281

Specifications are subject to change without notice. No liability or warranty implied by this information. Environmental compliance based on producer documentation.