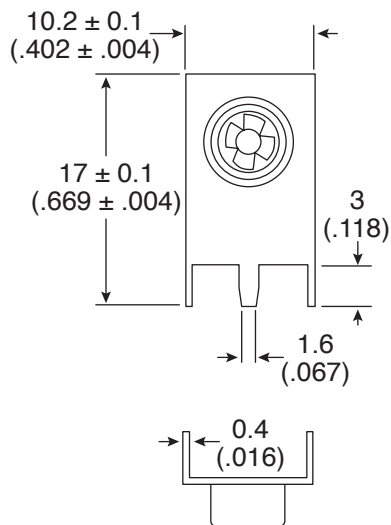
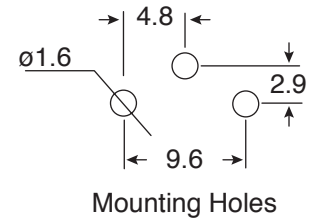
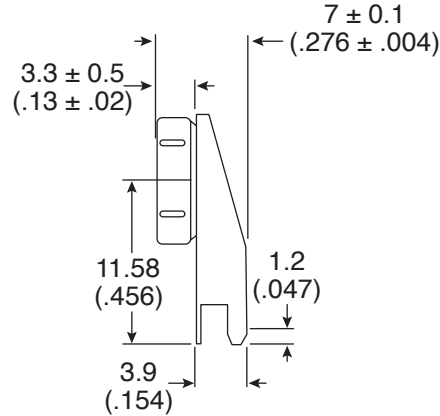


Female Contact 12BC220



Male Contact 12BC210

DIMENSIONS mm (In.)

SPECIFICATIONS	
Terminal:	With 6 prong snap terminal
Material:	Brass, nickel plated
Thickness:	0.4mm

Available from Mouser Electronics  
1-800-346-6873  
www.mouser.com

EPD-200134