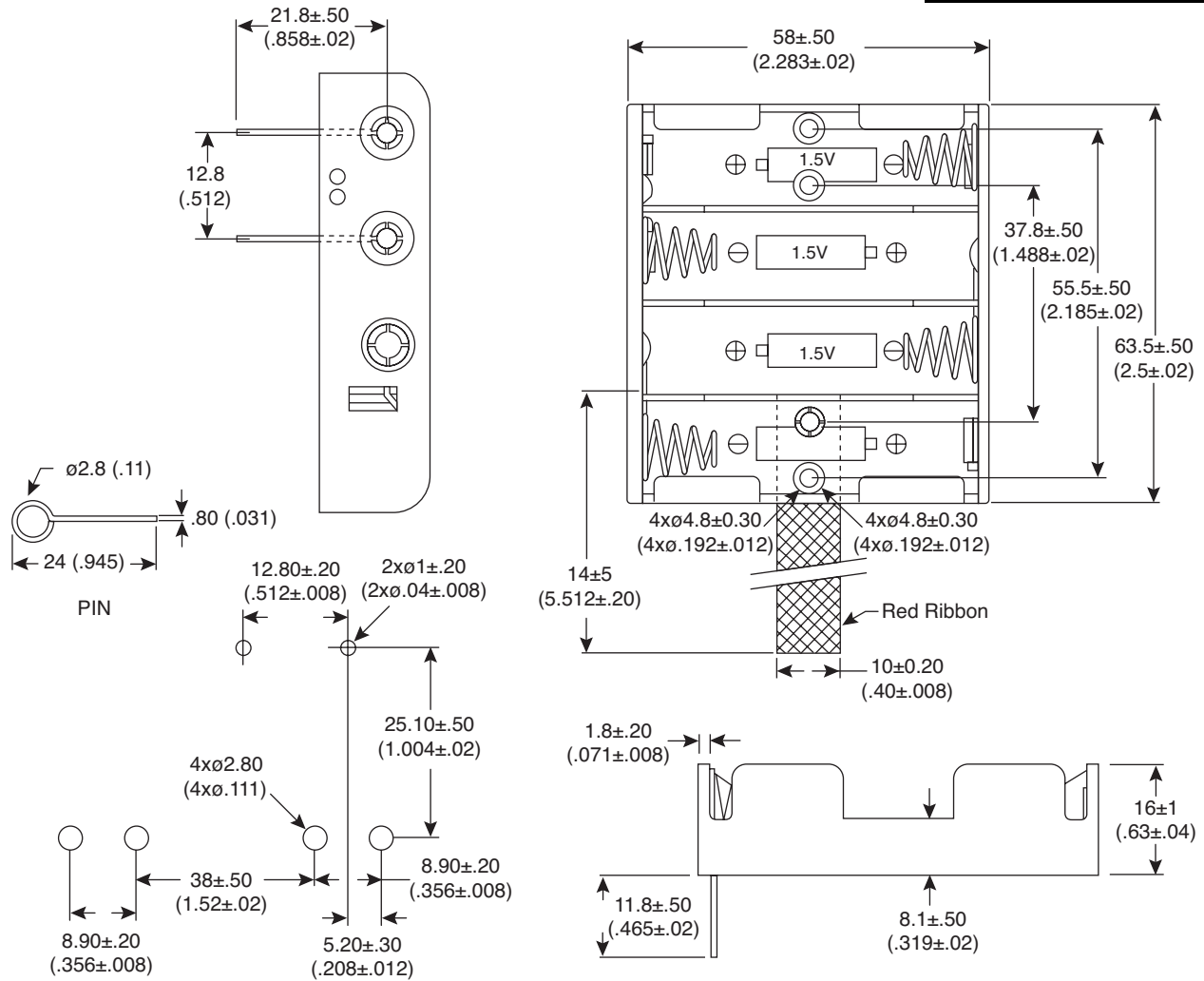


Date Last Revised: 6-3-05



DIMENSIONS: mm (In.)

SPECIFICATIONS	
Pin:	$\phi 0.8 \times 24$ mm
Material:	P.P. resin, black color
Spring:	0.7mm 65C spring wire

MECHANICAL SPECIFICATIONS	
Tensile Yield Strength:	270Kg
Flexural Modulus:	10,000Kg
Rockwell Hardness:	80
Izod Impact Strength:	8.0Kg-cm, 4.5Kg-cm
Heat Deflection Temperature:	95°C
Vicat Softening Point	140°C
Mould Shrinkage:	1.6-1.8%
Melt Flow Index	8g/10min
Density:	0.9g/cm ³

Available from Mouser Electronics
1-800-346-6873
www.mouser.com

EPD-200082

Specifications are subject to change without notice. No liability or warranty implied by this information. Environmental compliance based on producer documentation.