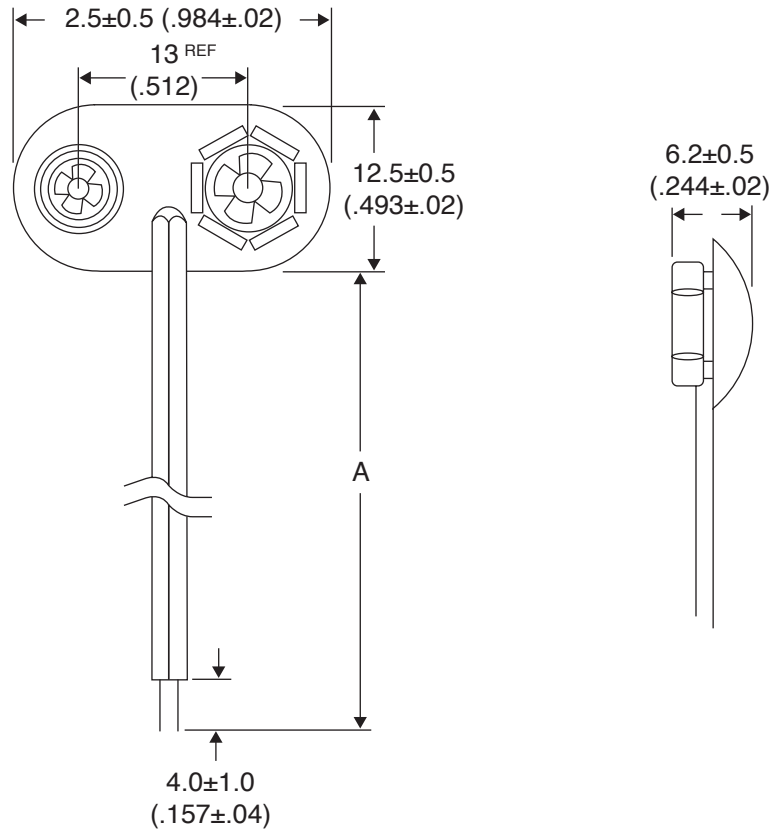


"O" Type Battery Snaps

121-0426/O, 121-0626/O, 121-0424/O,
121-0624/O, 121-0422/O, 121-0622/O

Date Last Revised: 10-25-05



Dimensions: mm (In.)

Part No.	A
121-0426/O	"O" 4" 26AWG
121-0626/O	"O" 6" 26AWG
121-0424/O	"O" 4" 24AWG
121-0624/O	"O" 6" 24AWG
121-0422/O	"O" 4" 22AWG
121-0622/O	"O" 6" 22AWG

SPECIFICATIONS	
Material:	P.V.C. Cover, Black Color
6 Prong Snap Terminal:	Brass Nickel Plated
Wire:	Black and Red, Strip & Tin

Available from Mouser Electronics
1-800-346-6873
www.mouser.com

EPD-200371

Specifications are subject to change without notice. No liability or warranty implied by this information. Environmental compliance based on producer documentation.