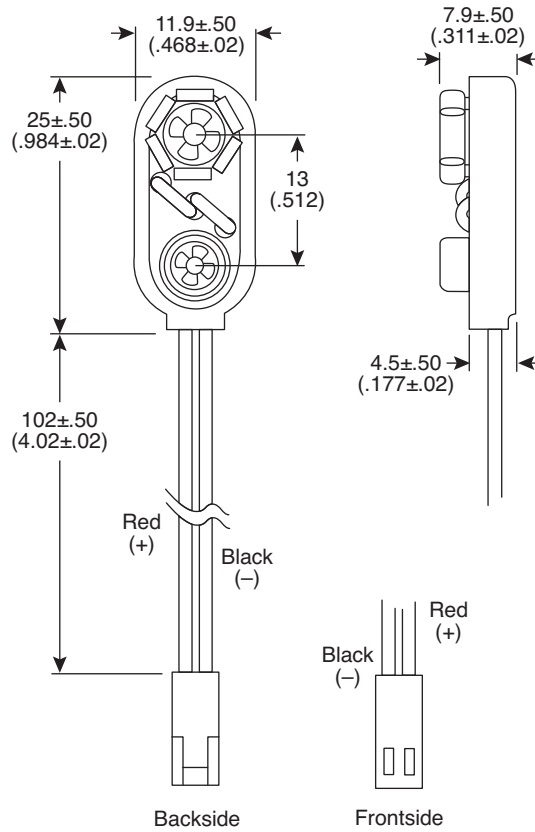


Date Last Revised: 5-26-09



JP2411-2P

Dimensions: mm (in.)

SPECIFICATIONS	
Wire:	AWG#26
Terminal:	6 prong snap
Material:	ABS resin, black color. J24111-2 BS-2 terminal and JP2411-2P housing (2510)
Mate:	Molex P/N 22-11-2022

Available from Mouser Electronics
1-800-346-6873 / www.mouser.com

EPD-200199

Specifications are subject to change without notice. No liability or warranty implied by this information. Environmental compliance based on producer documentation.