

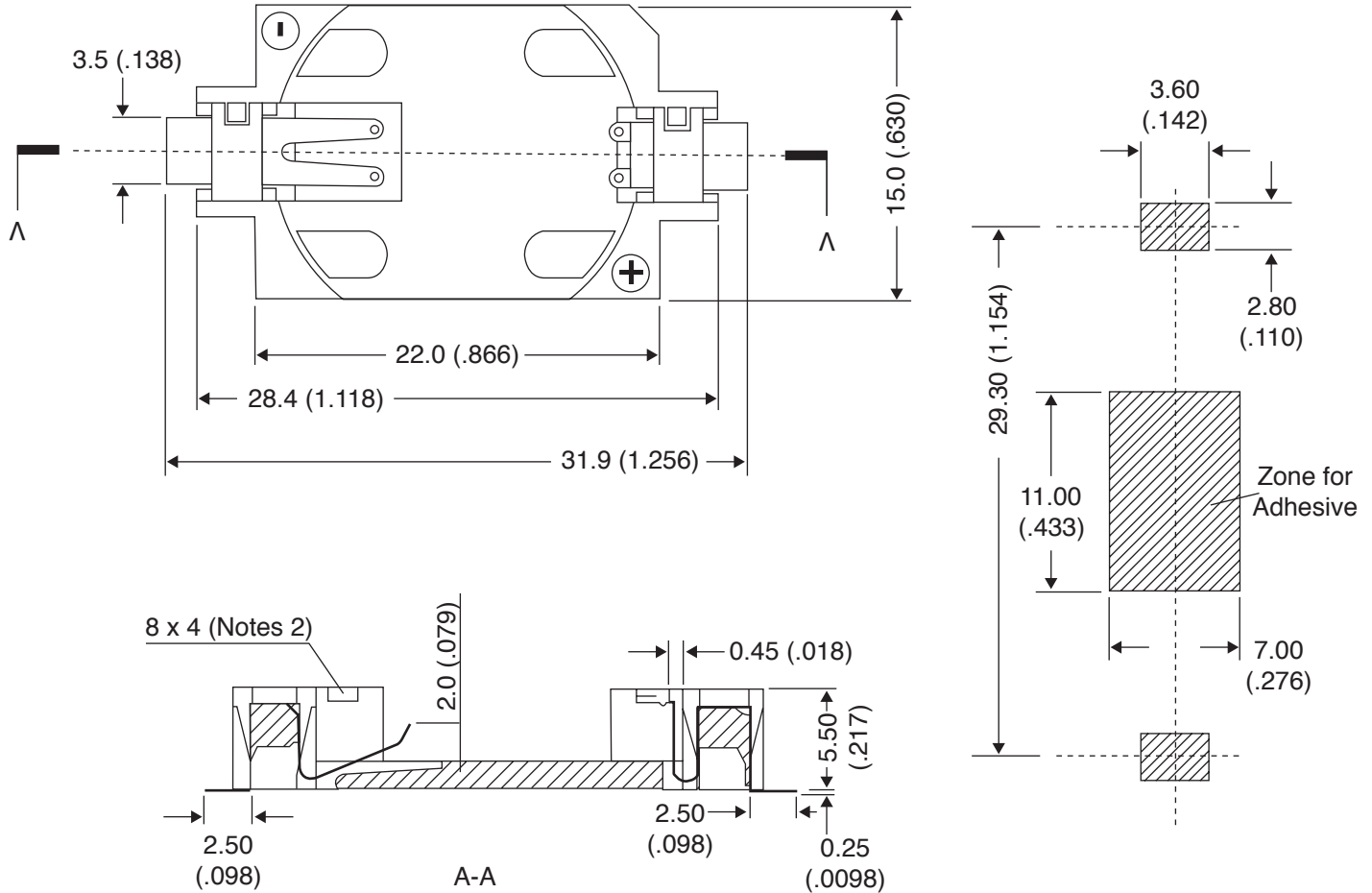


eagle
plastic devices

SMT 20mm Coin Cell Battery Holder

122-2820

Date Last Revised: 10-25-05



Dimensions: mm (In.)

MATERIALS

Housing:	LCP 30%GF
Contact:	Phosphor Bronze C5191R-11

Available from Mouser Electronics
1-800-346-6873
www.mouser.com

EPD-200365

Specifications are subject to change without notice. No liability or warranty implied by this information. Environmental compliance based on producer documentation.