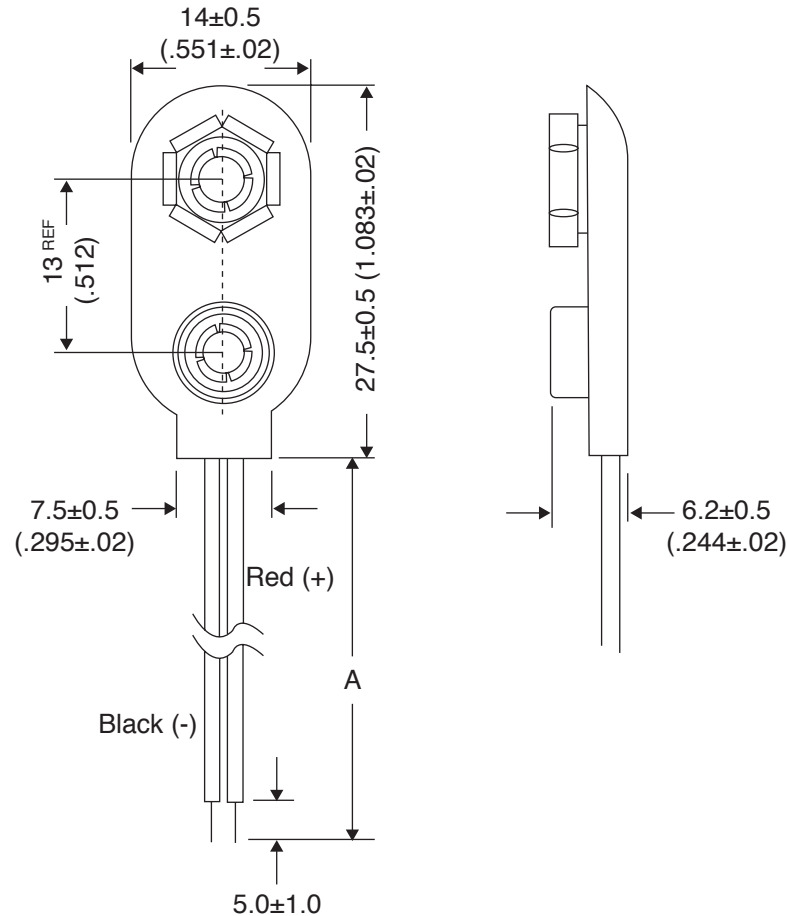


"I" Type Battery Snaps

121-0426/I, 121-0526/I, 121-0626/I, 121-0826/I,
121-1026/I, 121-1226/I, 121-0424/I, 121-0624/I,
121-0422/I, 121-0622/I, 121-1022/I

Date Last Revised: 10-25-05



Dimensions: mm (In.)

Part No.	A
121-0426/I	"I" 4" 26AWG
121-0526/I	"I" 5" 26AWG
121-0626/I	"I" 6" 26AWG
121-0826/I	"I" 8" 26AWG
121-1026/I	"I" 10" 26AWG
121-1226/I	"I" 12" 26AWG
121-0424/I	"I" 4" 24AWG
121-0624/I	"I" 6" 24AWG
121-0422/I	"I" 4" 22AWG
121-0622/I	"I" 6" 22AWG
121-1022/I	"I" 10" 22AWG

SPECIFICATIONS	
Material:	P.V.C. Cover, Black Color
6 Prong Snap Terminal:	Brass Nickel Plated
Wire:	Black and Red, Strip & Tin

Available from Mouser Electronics
1-800-346-6873
www.mouser.com

EPD-200369

Specifications are subject to change without notice. No liability or warranty implied by this information. Environmental compliance based on producer documentation.