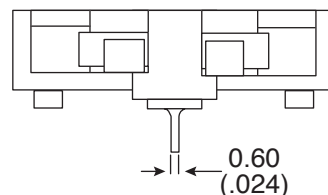
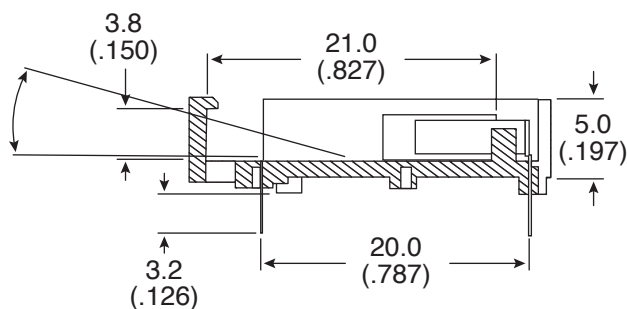


RECOMMENDED PC BOARD LAYOUT



Dimensions: mm (In.)

MATERIALS	
Housing:	PBT
Contact:	phosphor bronze
Plating:	Tin/Lead 90/10 100µ" min., Over Ni 50µ" min.

Available from Mouser Electronics
 1-800-346-6873
 www.mouser.com

EPD-200366