

PART NAME PLEXIGLASS DOOR - 19" PANEL SPACE

PART No. V-9060-A TO V-9070-A  
V-9060-L TO V-9070-L

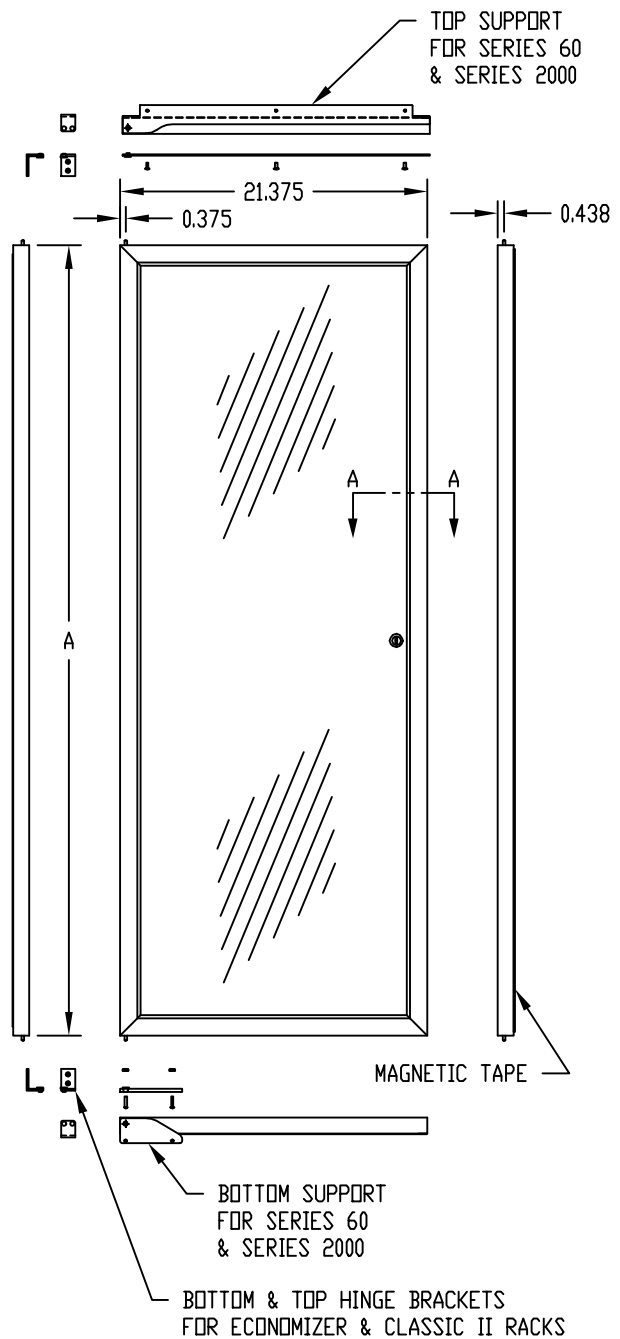
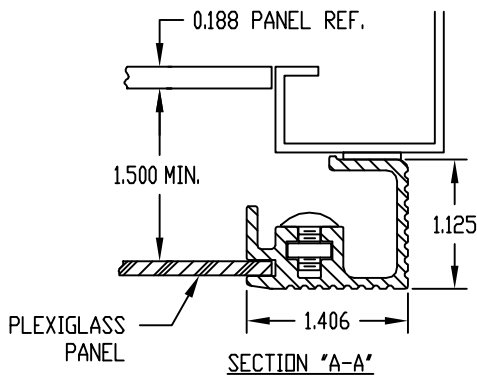
**MATERIAL:**

VERTICAL & HORIZONTAL EXTRUSIONS — 6063-T5 ALUMINUM ALLOY  
 TOP SUPPORT \_\_\_\_\_ 0.120 THK. ALUMINUM  
 BOTTOM SUPPORT \_\_\_\_\_ 0.190 THK. ALUMINUM  
 PLEXIGLASS PANEL \_\_\_\_\_ 0.125 THICK  
 MAGNETIC TAPE \_\_\_\_\_ PLASTIFORM, SELF-ADHESIVE  
 HINGE PIN \_\_\_\_\_ STAINLESS STEEL  
 HINGE HOUSING \_\_\_\_\_ STEEL  
 REST BUSHING \_\_\_\_\_ NYLON  
 HINGE BRACKETS \_\_\_\_\_ 12 GA. STEEL  
 STRIKERS \_\_\_\_\_ 1/8" THK. STAINLESS STEEL

**FINISH:**

VERTICAL & HORIZONTAL EXTRUSIONS \_\_\_\_\_ SILVER POWDER  
 TOP & BOTTOM SUPPORTS, HINGE BRACKETS \_\_\_\_\_ METALLIC GRAY  
 PLEXIGLASS PANEL \_\_\_\_\_ SMOKE GRAY  
 STRIKERS \_\_\_\_\_ NATURAL  
 REST BUSHING \_\_\_\_\_ WHITE

- DOOR - MAY BE HINGED LEFT OR RIGHT  
 - CLEARS PANEL SPACE WHEN OPENED 90° OR MORE  
 - IS HELD CLOSED WITH MAGNETIC TAPE  
 - CAN EASILY BE REMOVED OR INSTALLED THROUGH USE OF SPRING PIN HINGES  
 - FITS SERIES 60, SERIES 2000, CLASSIC II, & ECONOMIZER RACKS



PART NO. NON-LOCKING	PART NO. LOCKING	HEIGHT A	RACK VERTICAL PANEL SPACE
V-9060-A	V-9060-L	23.500	21.000
V-9061-A	V-9061-L	34.000	31.500
V-9062-A	V-9062-L	37.500	35.000
V-9063-A	V-9063-L	44.500	42.000
V-9064-A	V-9064-L	55.000	52.500
V-9065-A	V-9065-L	63.750	61.250
V-9066-A	V-9066-L	72.500	70.000
V-9067-A	V-9067-L	81.250	78.750
V-9068-A	V-9068-L	32.250	29.750
V-9069-A	V-9069-L	27.000	24.500
V-9070-A	V-9070-L	25.250	22.750