

PART NAME

ECONOGLAS DOOR

PART No.

V-9783-L thru V-9787-L

**MATERIAL:**

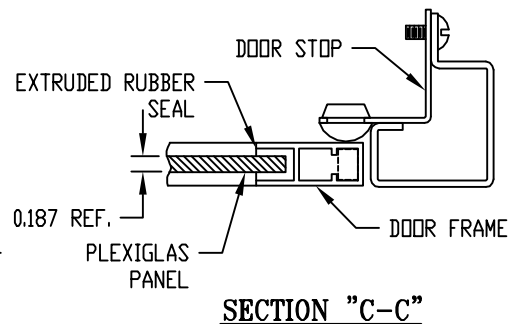
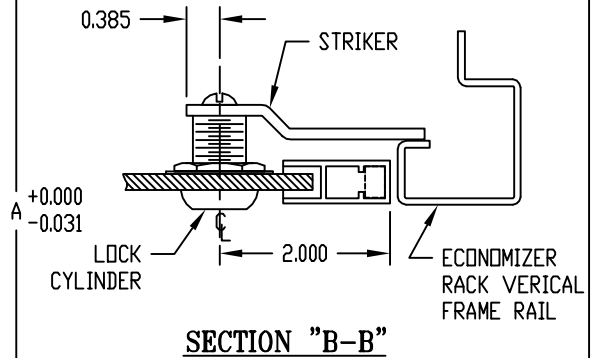
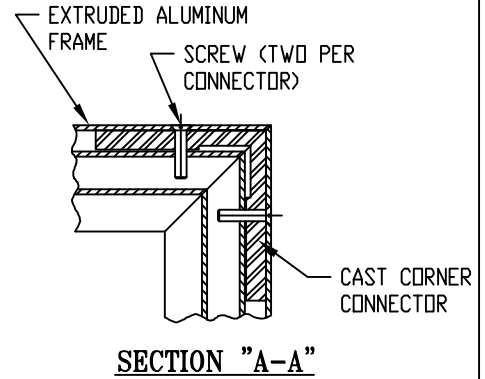
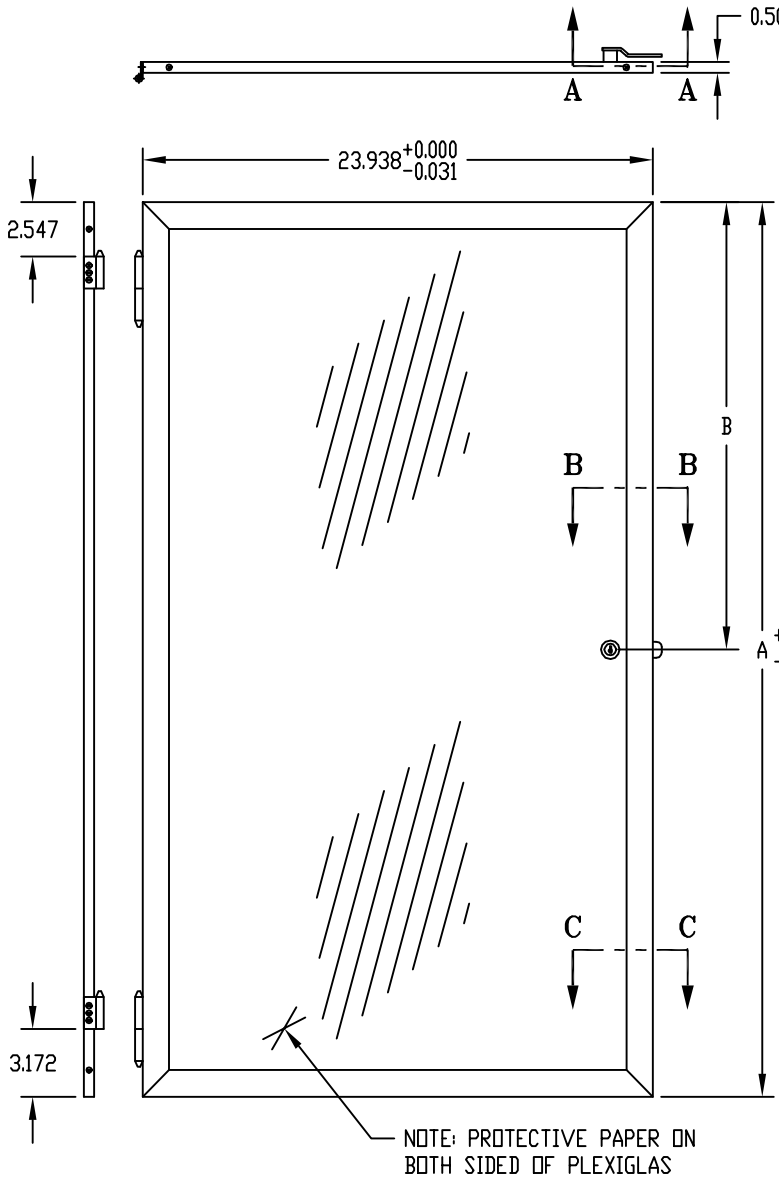
DOOR FRAME \_\_\_\_\_ ALUMINUM EXTRUSION  
 DOOR PANEL \_\_\_\_\_ 0.187 THICK PLEXIGLAS  
 WASHER \_\_\_\_\_ 20 GA. STAINLESS STEEL  
 DOOR STOPS \_\_\_\_\_ 16 GA. STEEL  
 HINGES \_\_\_\_\_ 14 GA. STEEL  
 STRIKER \_\_\_\_\_ 0.125 x 0.750 STAINLESS STEEL BAR STOCK

**FINISH:**

DOOR FRAME \_\_\_\_\_ CLEAR ANODIZED  
 DOOR PANEL \_\_\_\_\_ SMOKE GRAY  
 STRIKER, WASHER \_\_\_\_\_ NATURAL  
 DOOR STOPS \_\_\_\_\_ SMOOTH BLACK  
 HINGES \_\_\_\_\_ METALLIC GRAY

**DOOR:**

- CLEARS PANEL SPACE WHEN OPENED 90° OR MORE
- IS HELD CLOSED WITH LOCK
- FITS ECONOMIZER UPRIGHT CABINET RACKS AND CLASSIC II CABINET RACKS



PART NO. LOCKING	HEIGHT A	B	RACK VERTICAL PANEL SPACE
V-9783-L	41.938	20.969	42.000
V-9784-L	52.438	26.219	52.500
V-9785-L	61.188	30.594	61.250
V-9786-L	69.938	34.969	70.000
V-9787-L	78.688	39.344	78.750