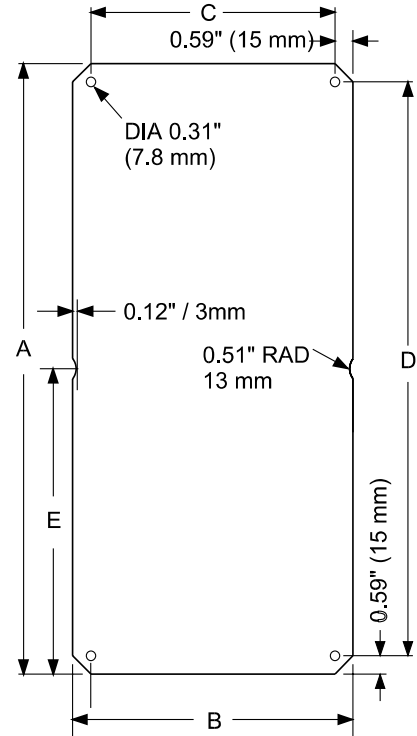


# Polyester Modular Enclosures - NEMA 4X

## PB Series - Accessories

### PB Series Inner Panel

- Available in steel or unfinished aluminum.
- 14 gauge steel panels are finished in white powder coating.
- Aluminum panels are 0.080" (2.03 mm) unfinished.
- Hardware to mount inner panel is included with PB series enclosures.



Steel Panel Part No.	Aluminum Panel	Fits PB Enclosure		A	B	C	D	E
<b>PBP2718</b>	<b>PBPA2718</b>	PB271818	inch	9.06	5.51	4.33	7.88	—
		PB271818CC	mm	230	140	110	200	—
<b>PBP2727</b>	<b>PBPA2727</b>	PB272718	inch	9.06	9.06	7.88	7.88	—
		PB272718CC	mm	230	230	200	200	—
<b>PBP3627</b>	<b>PBPA3627</b>	PB362718	inch	12.60	9.06	7.88	11.42	—
		PB362718CC	mm	320	230	200	290	—
<b>PBP5427</b>	<b>PBPA5427</b>	PB542718	inch	19.69	9.06	7.88	18.51	9.84
		PB542718CC	mm	500	230	200	470	250
<b>PBP5436</b>	<b>PBPA5436</b>	PB543618	Inch	19.69	12.60	11.42	18.51	9.84
		PB543618CC	mm	500	320	290	470	250

### PB Series External Hinges

- Fit all PB series enclosures sizes.
- External hinges have a 180° opening.
- Polyamide and fiberglass construction.
- Maintains IP rating when installed.
- Packaged in quantities of two.
- Easily installed in the field.



Part No. **PBEH**

Corrosion Resistant

Junction Boxes

## Polyester Modular Enclosures - NEMA 4X

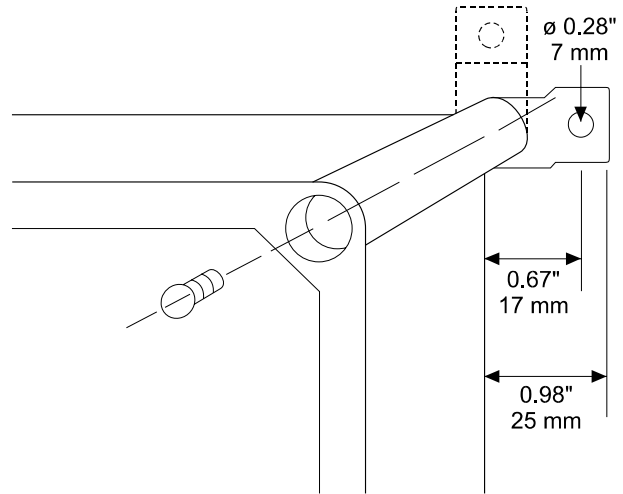
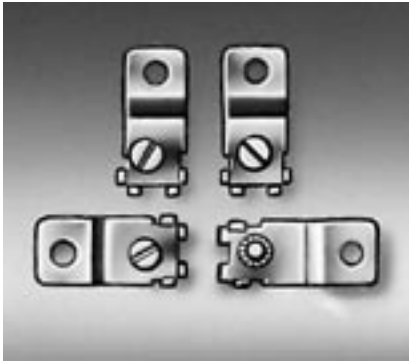
### PB Series - Accessories



### PB Series Mounting Feet

- Constructed of stainless steel.
- Fits all sizes of PB series enclosures.
- Packaged in quantities of four.
- Can be mounted horizontally or vertically.
- Easily installed in the field.

Part No. **PBMF**



### PB Replacement Screws

- Fit all PB series enclosure sizes.
- Replacement screws in case the original screws are lost or broken.
- Packaged in quantities of eight.

Part No. **PBSC8**

Corrosion Resistant Junction Boxes