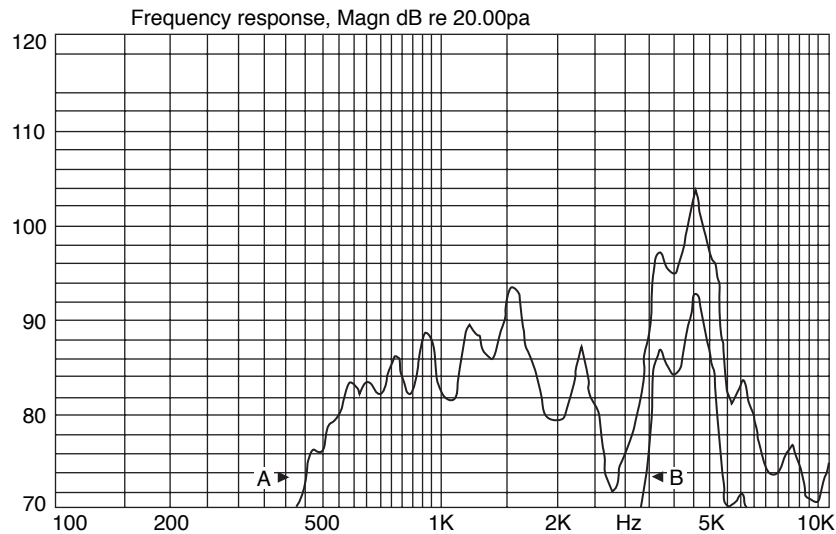
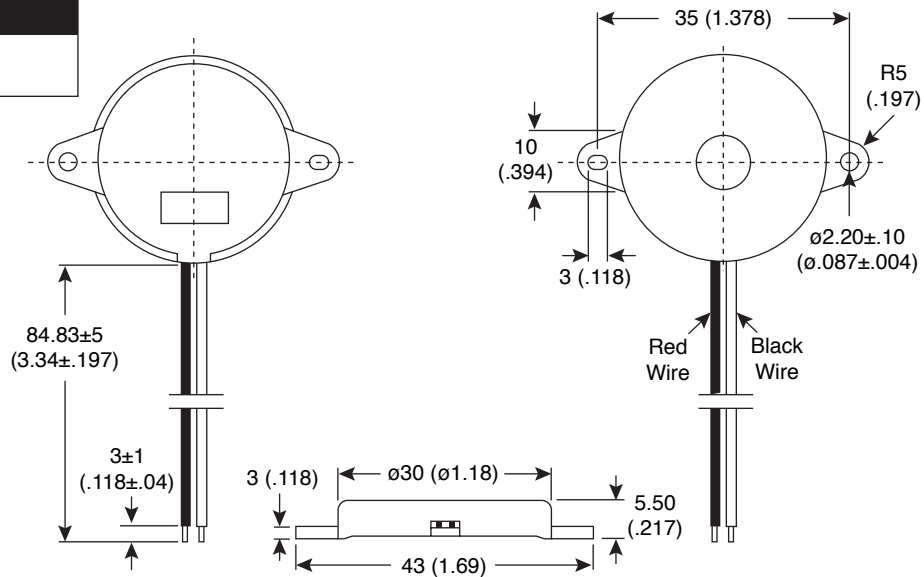


Part Number:

254-272

Piezoelectric Buzzer (External Drive)



KT-400084

Mechanical Specifications:

- Operating temperature: -20° to +60°C
- Storage temperature: -30° to +70°C

Materials:

- Case: ABS (UL 94HB)
- Lead wire: UL1095, 28AWG
- Weight: 4.7 gms

Electrical Specifications:

- Sound pressure level: 90dB min. @ 4.4KHz/9Vp-p square wave/10cm
80dB min. @ 4.4KHz/1Vrms sine wave/10cm
- Capacitance: 20,000pF ± 30% @ 120Hz
- Current consumption: 4mA max. @ 4.4KHz/9Vp-p square wave
- Allowable input voltage: 30Vp-p max.

Available from Mouser Electronics

www.mouser.com

(800) 346-6873

Specifications are subject to change without notice. No liability or warranty implied by this information. Environmental compliance based on producer documentation.