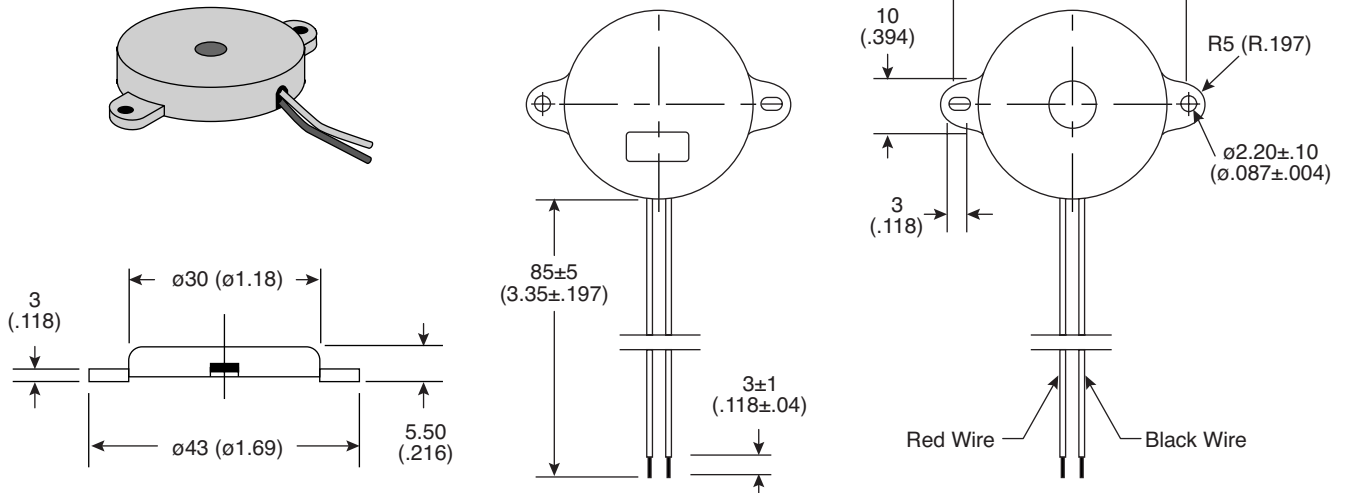


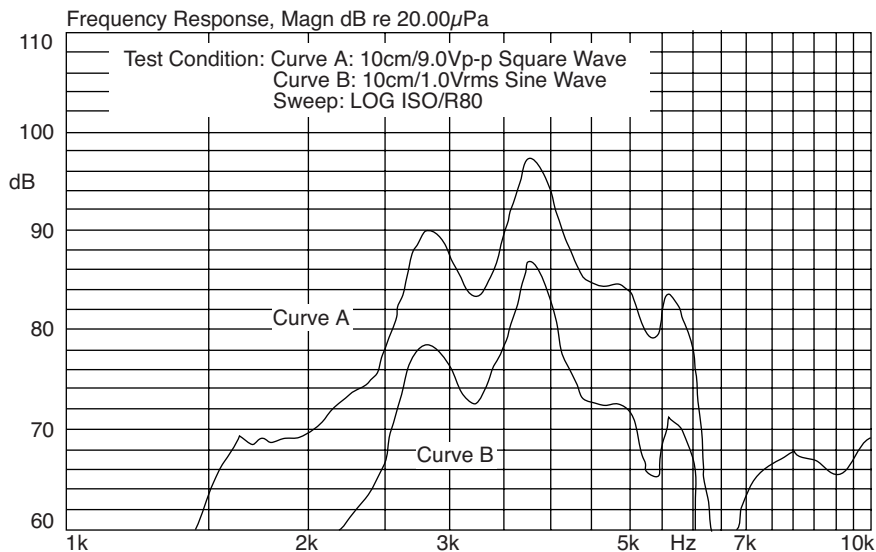
Part Number:

254-PB514

Dimensions: mm (In.)



Piezoelectric Buzzer
(External Drive)



KT-400176

Electrical Specifications:

- Sound Pressure Level:
 - 85dB min. at 3.5KHz/9Vp-p Square Wave/10cm.
 - 75dB min. at 3.5KHz/1Vrms Sine Wave/10cm.
- Capacitance: 24,000pF \pm 30% at 120Hz
- Current Consumption: 4mA max. at 3.5KHz/9Vp-p Square Wave
- Allowable Input Voltage: 30Vp-p max.

Mechanical Specifications:

- Operating Temperature: -20°C to +60°C
- Storage Temperature: -30°C to +70°C

Materials:

- Case: ABS (UL 94HB)
- Lead Wire: UL1095 28AWG
- Weight: 4.3 grams