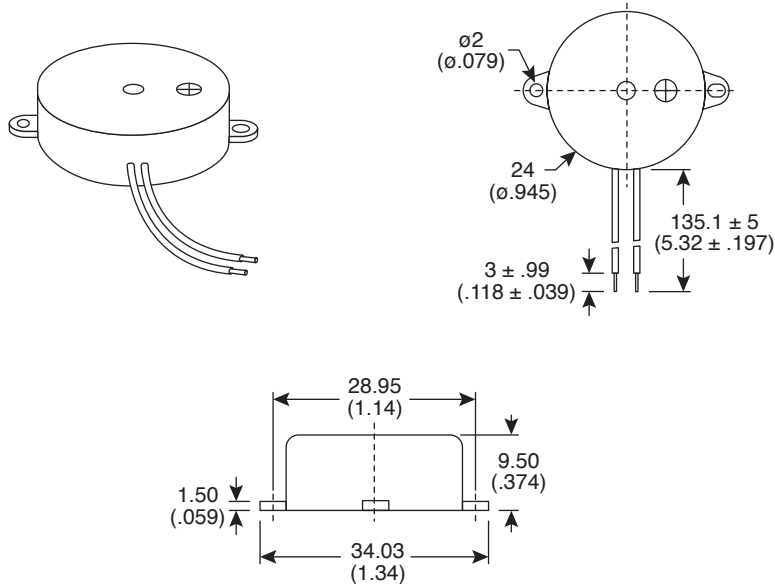


**Part Number:**

254-20C6

Piezoelectric Buzzer (Built-In Drive)



KT-400124

**Mechanical Specifications:**

- Operating temperature: -20°~+105°C

**Electrical Specifications:**

- Sound pressure level: 80dB min. @ 9VDC, 30cm
- Oscillating frequency: 3.4±.5KHz continuous
- Current: 6mA max. 6VDC
- Input voltage: 3~30VDC

**Materials:**

- Weight: 3.0g
- Leads: 28AWG, UL1095
- Case: ABS, UL94HB