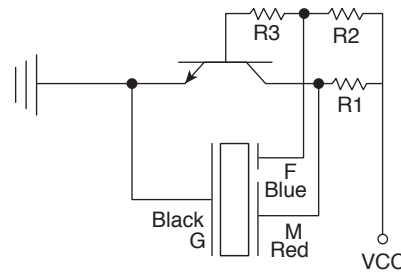
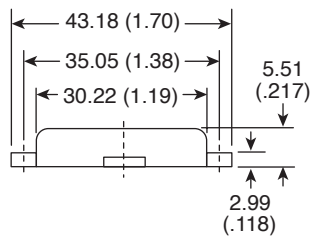
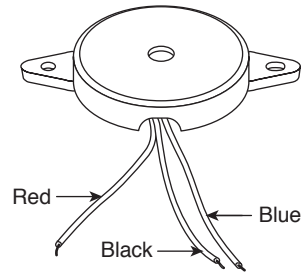
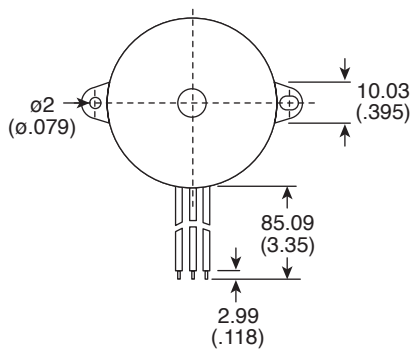


Part Number:

254-273

Piezoelectric Buzzer (Self Drive)



KT-400010

Electrical Specifications:

- Resonant Frequency: 4.4±0.5KHz
- Voltage: 3~30VDC max.
- Current: 6mA @ 9Vp-p / 6VDC
- Sound Pressure: 85dB min. / 9VDC / 30cm

Materials:

- Body: ABS UL94HB
- Weight: 4.5 grams
- Lead Wire: UL1571 / 32 AWG / 3.35±.197 inches

Mechanical Specifications:

- Operating Temperature Range: -20°C ~ +105°C