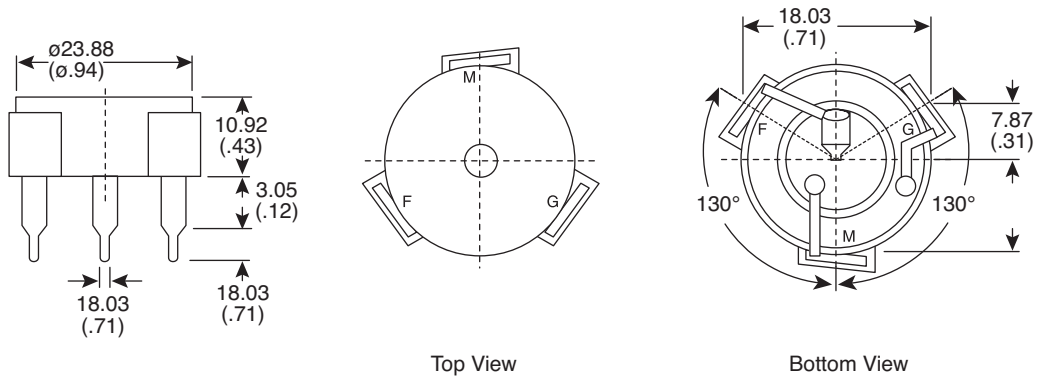


Part Number:

254-20335

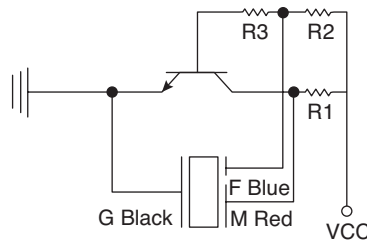
Piezoelectric Buzzer (Self Drive)



Top View

Bottom View

Recommended Circuit



KT-400009

Mechanical Specifications:

- Operating temperature: -20°C~ +105°C
- Pin pitch: 0.12 ± 0.01

Electrical Specifications:

- Sound pressure level: 90dB min./9VDC/30cm
- Oscillating frequency: 3.4 ± 0.5KHz
- Current consumption: 6mA max. /6VDC
- Allowable input voltage: 3~30VDC

Materials:

- Case: PC UL94V2
- Pin: Tin coated brass