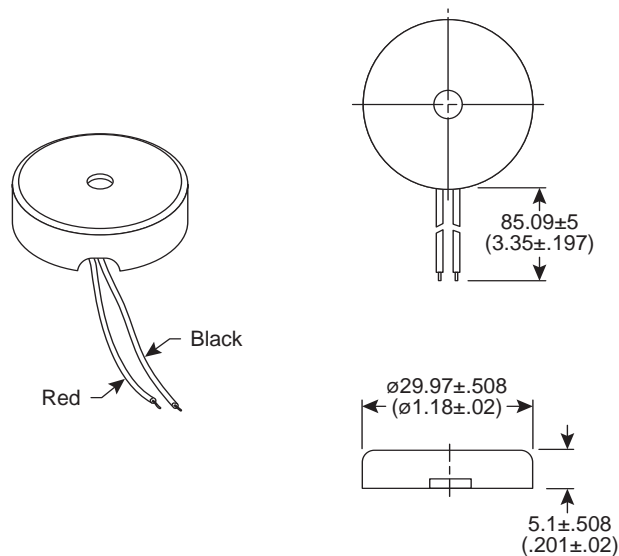


**Part Number:**

254-27221

**Buzzer (External Drive)**

KT-400232

**Mechanical Specifications:**

- Operating Temperature: -20°C ~ +60°C

**Materials:**

- Body: ABS UL94HB
- Weight: 3.9 grams
- Lead Wire: UL1095, 28AWG

**Electrical Specifications:**

- Maximum Allowable Voltage: 30Vp-p
- Current Consumption: 4mA max. @ 3.5KHz, 9Vp-p, Square Wave
- Capacitance: 25,000pF±30% @ 120Hz
- Sound Pressure Level: 85dB min. @ 3.5KHz, 9Vp-p, Square Wave, 10cm