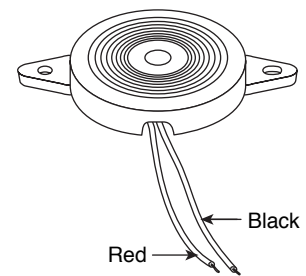
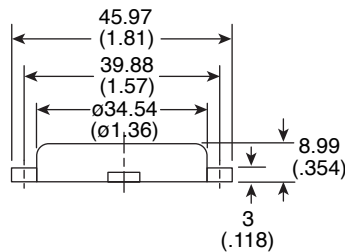
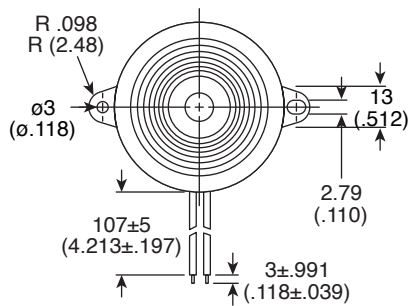


Part Number:

254-35T2

Telephone Ringer



KT-400130

Electrical Specifications:

- Resonant frequency: 1.2KHz
- Voltage: 40Vp-p
- Current: 3mA 9Vp-p, square wave
- Sound pressure: 80dB min. @ 9Vp-p, square wave 10cm;
70dB min. @ 1Vrms, sine wave 10cm
- Capacitance: 60,000pF ±30% @ 120Hz 25°C

Mechanical Specifications:

- Operating temperature range: -20°~+60°C

Materials:

- Body: ABS UL94HB
- Weight: 5.0 grams
- Lead wire: UL1095, 28AWG