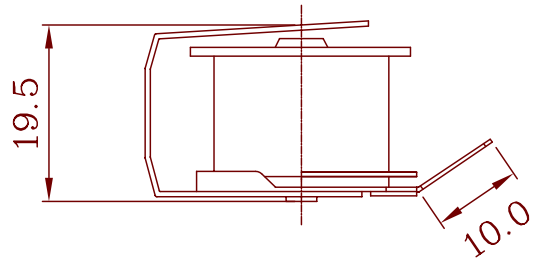
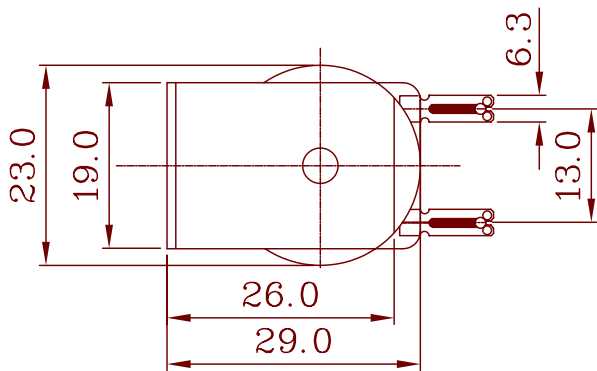


THIS DOCUMENT CONTAINS DATA PROPRIETARY TO PROJECTS UNLIMITED, INC. ANY USE OR REPRODUCTION, IN ANY FORM, WITHOUT PRIOR WRITTEN PERMISSION OF PROJECTS UNLIMITED, INC. IS PROHIBITED.  
© 2005, Projects Unlimited Inc.

SPECIFICATIONS

PARAMETERS	VALUES	UNITS
RATED VOLTAGE	220	Vac
OPERATING VOLTAGE RANGE	160 ~ 260	Vac
RATED CURRENT (MAX)	30	mA
MINIMUM SPL @ 10 cm	90	dB
RESONANT FREQUENCY	60±10	Hz
TONE OR PULSE RATE	CONTINUOUS	0 PULSE PER SECOND
OPERATING TEMPERATURE	-20 ~ +60	°C
STORAGE TEMPERATURE	-30 ~ +70	°C
HOUSING MATERIAL	NONE	-
TERMINAL MATERIAL	QUICK DISCONNECT TABS	-
WEIGHT	25	grams

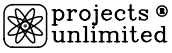
REVISIONS			
LTR	DESCRIPTION	DATE	APPROVED
-	RELEASED FROM ENGINEERING	5/2/02	
A	REVISED SPL, WEIGHT & TO NEW TEMPLATE	8/02/05	B.R.
B	REVISED VOLTAGE UNITS	8/17/06	B.R.



NOTES:

1. ALL DIMENSIONS ARE IN MILLIMETERS.
2. SPECIFICATION SUBJECT TO CHANGE OR WITHDRAWAL WITHOUT NOTICE.

FILE NAME  
AI-294.DWG

UNLESS OTHERWISE SPECIFIED: DIMENSIONS ARE IN MILLIMETERS, TOLERANCES ARE ±0.5 AND ANGLES ARE ±3°.		 Dayton, Ohio									
<table border="1"> <thead> <tr> <th>APPROVALS</th> <th>DATE</th> </tr> </thead> <tbody> <tr> <td>DRAWN <i>RABL</i></td> <td>05/02</td> </tr> <tr> <td>CHECKED <i>S.J.</i></td> <td>05/02</td> </tr> <tr> <td>APPROVED <i>S.J.</i></td> <td>05/07/02</td> </tr> </tbody> </table>		APPROVALS	DATE	DRAWN <i>RABL</i>	05/02	CHECKED <i>S.J.</i>	05/02	APPROVED <i>S.J.</i>	05/07/02	AUDIO INDICATOR	
APPROVALS	DATE										
DRAWN <i>RABL</i>	05/02										
CHECKED <i>S.J.</i>	05/02										
APPROVED <i>S.J.</i>	05/07/02										
DO NOT SCALE DRAWING		SIZE A	DRAWING NO. AI-294.DWG								
		SCALE: N.T.S.	SHEET 1 OF 1								