

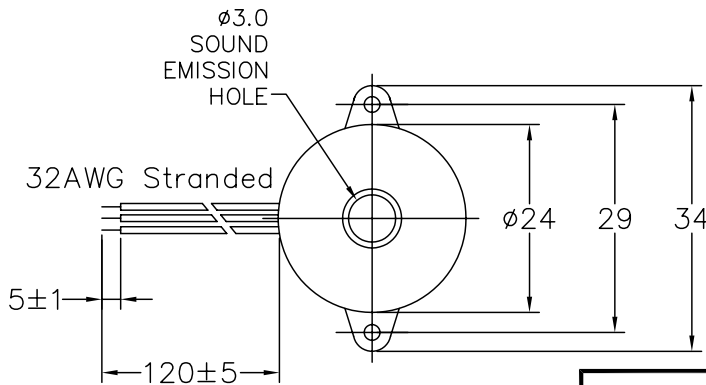
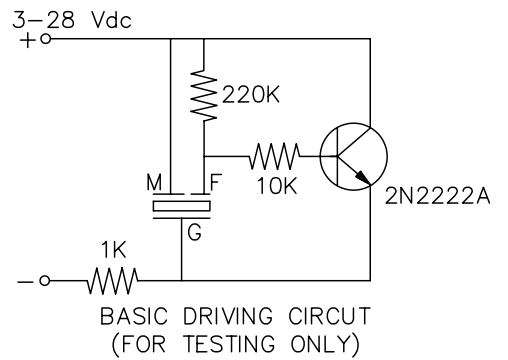
THIS DOCUMENT CONTAINS DATA PROPRIETARY TO PROJECTS UNLIMITED, INC. ANY USE OR REPRODUCTION, IN ANY FORM, WITHOUT PRIOR WRITTEN PERMISSION OF PROJECTS UNLIMITED, INC. IS PROHIBITED.  
© 2005, Projects Unlimited Inc.

SPECIFICATIONS

PARAMETERS	VALUES	UNITS
RATED VOLTAGE	12	Vp-p
OPERATING VOLTAGE RANGE	3 ~ 28	Vp-p
RATED CURRENT (MAX)	13	mA
CAPACITANCE	17,000±30%	pF
MINIMUM SPL @ 10 CM	83	dBA
RESONANT FREQUENCY	4,500±500	Hz
OPERATING TEMPERATURE	-30 ~ +85	°C
STORAGE TEMPERATURE	-40 ~ +95	°C
HOUSING MATERIAL	ABS	-
TERMINAL MATERIAL	LEAD WIRE	-
WEIGHT	7.4	grams

REVISIONS

LTR	DESCRIPTION	DATE	APPROVED
-	RELEASED FROM ENGINEERING	5/6/02	
A	REVISED TO NEW TEMPLATE	6/4/04	
B	REVISED SOUND HOLE DIMS & CAP VALUE	10/12/05	



NOTES:

1. ALL DIMENSIONS ARE IN MILLIMETERS.
2. SPECIFICATION SUBJECT TO CHANGE OR WITHDRAWAL WITHOUT NOTICE.
3. WIRE COLOR CODE: RED (+), BLACK (+), BLUE (FEEDBACK CONNECTION)

FILE NAME  
AT-121.DWG

UNLESS OTHERWISE SPECIFIED:  
DIMENSIONS ARE IN MILLIMETERS, TOLERANCES ARE ±0.5 AND ANGLES ARE ±3°.

APPROVALS	DATE
DRAWN <i>RABL</i>	10/05
CHECKED <i>S.J.</i>	5/02
APPROVED <i>X.X.</i>	X/XX

DO NOT SCALE DRAWING



projects®  
unlimited

Dayton, Ohio

TRANSDUCER (PIEZO)

SIZE A	DRAWING NO. AT-121
SCALE: N.T.S.	SHEET 1 OF 1