

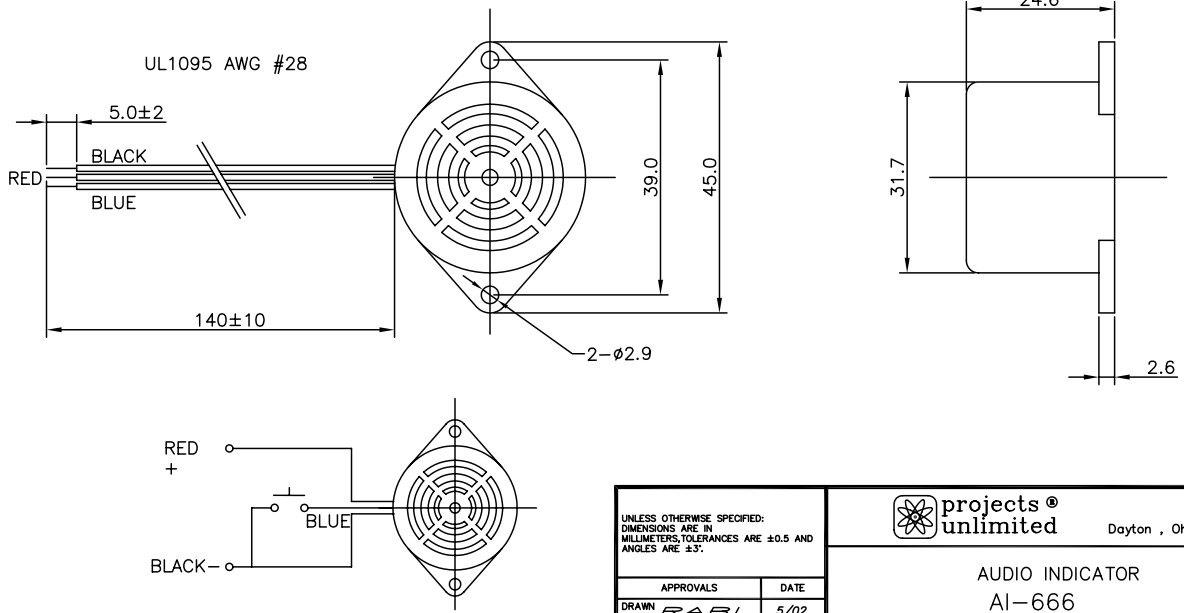
THIS DOCUMENT CONTAINS DATA PROPRIETARY TO PROJECTS UNLIMITED, INC. ANY USE OR REPRODUCTION, IN ANY FORM, WITHOUT PRIOR WRITTEN PERMISSION OF PROJECTS UNLIMITED, INC. IS PROHIBITED.
© 2003, Projects Unlimited Inc.

SPECIFICATIONS

PARAMETERS	VALUES	UNITS
RATED VOLTAGE	12	Vdc
OPERATING VOLTAGE RANGE	6 ~ 18	Vdc
RATED CURRENT (MAX)	125	mA
MINIMUM SPL @ 10 cm.	90	dBA
RESONANT FREQUENCY	1,230/1010±80	Hz
TONE OR PULSE RATE	DING-DONG	0 PULSE PER SECOND
OPERATING TEMPERATURE	-20 ~ +55	°C
STORAGE TEMPERATURE	-25 ~ +60	°C
HOUSING MATERIAL	ABS	-
TERMINAL MATERIAL	LEAD WIRE	-
WEIGHT	18	grams

REVISIONS


LTR	DESCRIPTION	DATE	APPROVED
-	RELEASED FROM ENGINEERING	5/10/02	
A	REVISED TEMPLATE	5/7/04	R. W.
B	REVISED RESONANT FREQUENCY VALUE	10/14/05	E. P.



NOTES:

1. ALL DIMENSIONS ARE IN MILLIMETERS.
2. SPECIFICATION SUBJECT TO CHANGE OR WITHDRAWAL WITHOUT NOTICE.

FILE NAME
AI-666.DWG

UNLESS OTHERWISE SPECIFIED: DIMENSIONS ARE IN MILLIMETERS, TOLERANCES ARE ±0.5 AND ANGLES ARE ±3°.		 projects® unlimited Dayton, Ohio	
APPROVALS DRAWN <i>RABL</i> 5/02 APPROVED <i>S.J.</i> 5/02		AUDIO INDICATOR AI-666	
DO NOT SCALE DRAWING		SIZE A	DRAWING NO. AI-666
SCALE: N.T.S.		SHEET 1 OF 1	