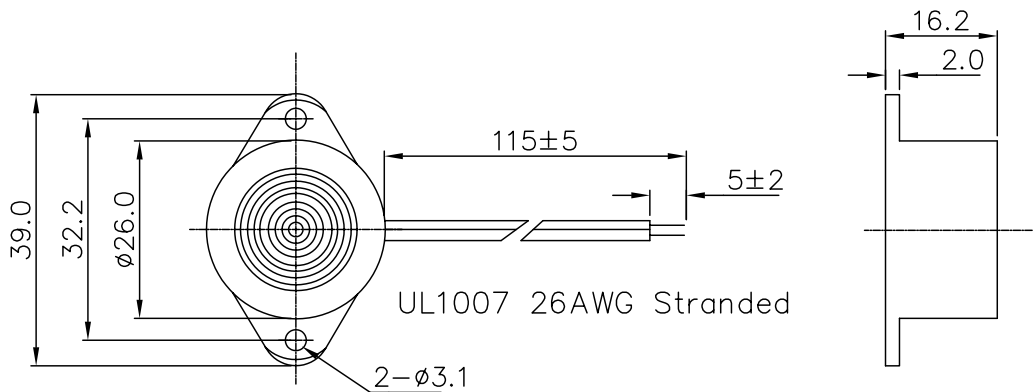


THIS DOCUMENT CONTAINS DATA PROPRIETARY TO PROJECTS UNLIMITED, INC. ANY USE OR REPRODUCTION, IN ANY FORM, WITHOUT PRIOR WRITTEN PERMISSION OF PROJECTS UNLIMITED, INC. IS PROHIBITED.  
© 2005, Projects Unlimited Inc.

SPECIFICATIONS

PARAMETERS	VALUES	UNITS
RATED VOLTAGE	6	Vdc
OPERATING VOLTAGE RANGE	4 ~ 8	Vdc
RATED CURRENT (MAX)	20	mA
MINIMUM SPL @ 10 cm	90	dB
RESONANT FREQUENCY	400±100	Hz
TONE OR PULSE RATE	CONTINUOUS	0 PULSE PER SECOND
OPERATING TEMPERATURE	-20 ~ +60	°C
STORAGE TEMPERATURE	-30 ~ +70	°C
HOUSING MATERIAL	ABS GRAY	-
TERMINAL MATERIAL	LEAD WIRES	-
WEIGHT	10	grams

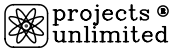
REVISIONS			
LTR	DESCRIPTION	DATE	APPROVED
-	RELEASED FROM ENGINEERING	05/03/02	
A	REVISED TO NEW TEMPLATE	10/14/05	



NOTES:

1. ALL DIMENSIONS ARE IN MILLIMETERS.
2. SPECIFICATION SUBJECT TO CHANGE OR WITHDRAWAL WITHOUT NOTICE.

FILE NAME  
AI-606.DWG

UNLESS OTHERWISE SPECIFIED: DIMENSIONS ARE IN MILLIMETERS, TOLERANCES ARE ±0.5 AND ANGLES ARE ±3°.		 <b>projects® unlimited</b> Dayton, Ohio									
<table border="1"> <thead> <tr> <th>APPROVALS</th> <th>DATE</th> </tr> </thead> <tbody> <tr> <td>DRAWN <i>RABL</i></td> <td>05/02</td> </tr> <tr> <td>CHECKED <i>S.J.</i></td> <td>5/07/02</td> </tr> <tr> <td>APPROVED <i>X. X.</i></td> <td><i>X/XX</i></td> </tr> </tbody> </table>		APPROVALS	DATE	DRAWN <i>RABL</i>	05/02	CHECKED <i>S.J.</i>	5/07/02	APPROVED <i>X. X.</i>	<i>X/XX</i>	INDICATOR	
APPROVALS	DATE										
DRAWN <i>RABL</i>	05/02										
CHECKED <i>S.J.</i>	5/07/02										
APPROVED <i>X. X.</i>	<i>X/XX</i>										
DO NOT SCALE DRAWING		SIZE <b>A</b> DRAWING NO. <b>AI-606</b>									
		SCALE: N.T.S.	SHEET 1 OF 1								