

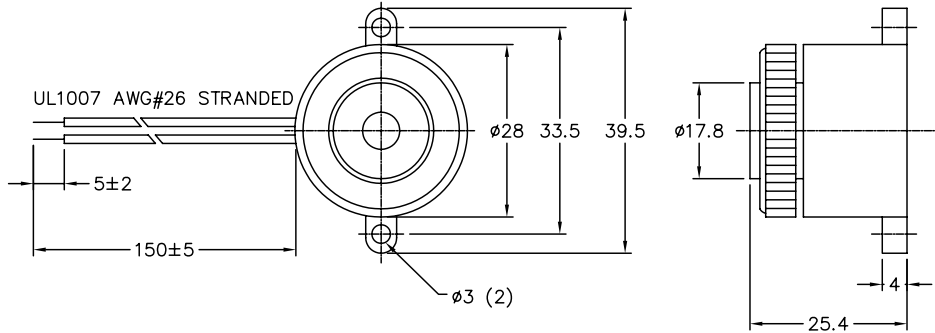
THIS DOCUMENT CONTAINS DATA PROPRIETARY TO PROJECTS UNLIMITED, INC. ANY USE OR REPRODUCTION, IN ANY FORM, WITHOUT PRIOR WRITTEN PERMISSION OF PROJECTS UNLIMITED, INC. IS PROHIBITED.
© 2005, Projects Unlimited Inc.

SPECIFICATIONS

PARAMETERS	VALUES	UNITS
RATED VOLTAGE	12	Vdc
OPERATING VOLTAGE RANGE	4 ~ 28	Vdc
RATED CURRENT (MAX)	5	mA
MINIMUM SPL @ 10 cm	95	dB
RESONANT FREQUENCY	3500±500	Hz
TONE OR PULSE RATE	SLOW PULSE	0 PULSE PER SECOND
OPERATING TEMPERATURE	-20 ~ +60	°C
STORAGE TEMPERATURE	-30 ~ +70	°C
HOUSING MATERIAL	ABS	-
TERMINAL MATERIAL	LEAD WIRES	-
WEIGHT	10	grams

REVISIONS

LTR	DESCRIPTION	DATE	APPROVED
-	RELEASED FROM ENGINEERING	05/09/02	
A	REVISED TO NEW TEMPLATE	11/02/05	B.R.



NOTES:

1. ALL DIMENSIONS ARE IN MILLIMETERS.
2. SPECIFICATION SUBJECT TO CHANGE OR WITHDRAWAL WITHOUT NOTICE.
3. WIRE COLOR CODE: RED (+), BLACK (-)

FILE NAME
XL-453.DWG

UNLESS OTHERWISE SPECIFIED:
DIMENSIONS ARE IN MILLIMETERS, TOLERANCES ARE ±0.5 AND ANGLES ARE ±3°.

APPROVALS	DATE
DRAWN <i>RABL</i>	05/02
CHECKED <i>X.X.</i>	<i>X/XX</i>
APPROVED <i>S.J.</i>	05/16/02

DO NOT SCALE DRAWING



projects®
unlimited

Dayton, Ohio

INDICATOR

SIZE
A

DRAWING NO.
XL-453

SCALE: N.T.S.

SHEET 1 OF 1