

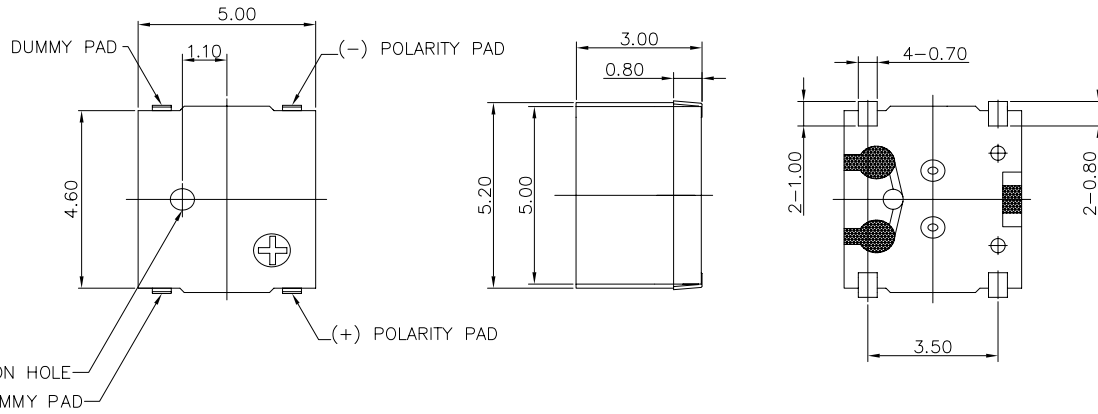
THIS DOCUMENT CONTAINS DATA PROPRIETARY TO PROJECTS UNLIMITED, INC. ANY USE OR REPRODUCTION, IN ANY FORM, WITHOUT PRIOR WRITTEN PERMISSION OF PROJECTS UNLIMITED, INC. IS PROHIBITED.

SPECIFICATIONS

PARAMETERS	VALUES	UNITS
RATED VOLTAGE (SQUARE WAVE)	3.0	Vp-p
OPERATING VOLTAGE RANGE	2 ~ 4	Vp-p
RATED CURRENT (MAX)	100	mA
COIL RESISTANCE	16 ±2.4	Ohm
MINIMUM SPL @ 10 cm	74	dBA
RESONANT FREQUENCY	4000	Hz
OPERATING TEMP.	-20 ~ +60	°C
STORAGE TEMP.	-40 ~ +85	°C
HOUSING MATERIAL	LCP	-
TERMINAL MATERIAL	SnPb PLATED PHOSPHOR BRONZE	-
WEIGHT	0.3	grams

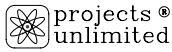
REVISIONS

LTR	DESCRIPTION	DATE	APPROVED
-	RELEASED FROM ENGINEERING	8/26/03	



- NOTES:
1. ALL DIMENSIONS ARE IN MILLIMETERS.
 2. SPECIFICATION SUBJECT TO CHANGE OR WITHDRAWAL WITHOUT NOTICE.

FILE NAME
SMT-3303G.DWG

UNLESS OTHERWISE SPECIFIED: DIMENSIONS ARE IN MILLIMETERS; TOLERANCES ARE ±0.3 AND ANGLES ARE ±3°.		 projects® unlimited Dayton, Ohio	
APPROVALS		DATE	
DRAWN R.A.O.		8/03	
APPROVED S.U.		8/03	
DO NOT SCALE DRAWING		SIZE A	DRAWING NO. SMT-3303G
		SCALE: N.T.S.	SHEET 1 OF 1