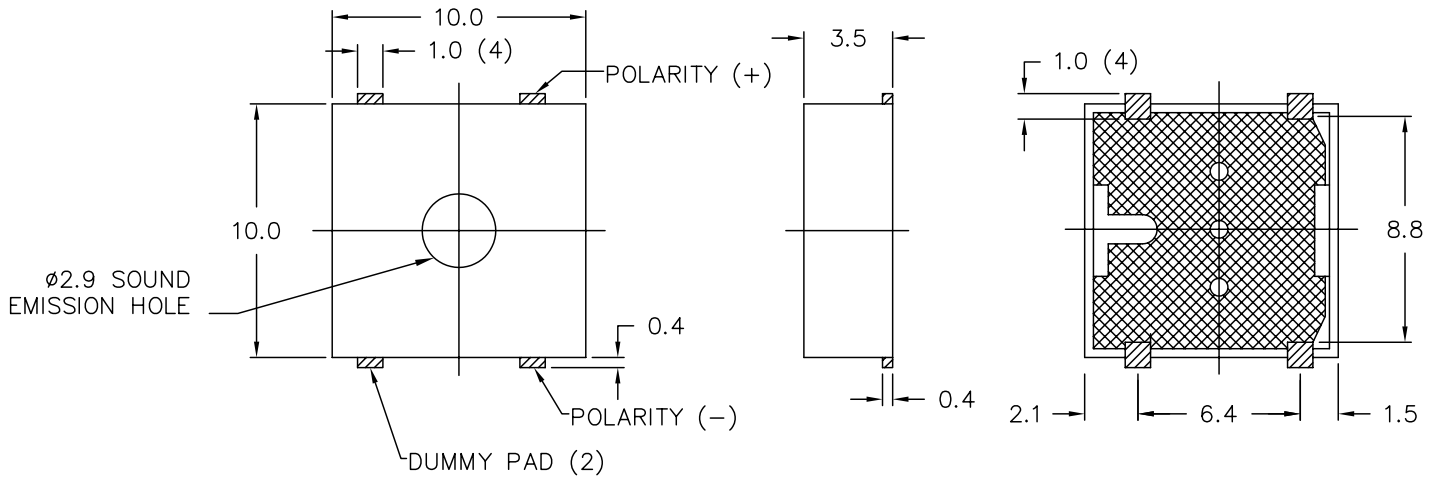


THIS DOCUMENT CONTAINS DATA PROPRIETARY TO PROJECTS UNLIMITED, INC. ANY USE OR REPRODUCTION, IN ANY FORM, WITHOUT PRIOR WRITTEN PERMISSION OF PROJECTS UNLIMITED, INC. IS PROHIBITED.  
© 2003, Projects Unlimited Inc.

SPECIFICATIONS

PARAMETERS	VALUES	UNITS
RATED VOLTAGE (SQUARE WAVE)	3.6	Vp-p
OPERATING VOLTAGE RANGE	3 ~ 4.6	Vp-p
RATED CURRENT (MAX)	100	mA
COIL RESISTANCE	18±5	OHM
MINIMUM SPL @ 10 CM	90	dBA
RESONANT FREQUENCY	2,830	Hz
OPERATING TEMPERATURE	-20 ~ +70	°C
STORAGE TEMPERATURE	-40 ~ +85	°C
HOUSING MATERIAL	PA46	-
TERMINAL MATERIAL	Cu WRAPPED FR4 Au PLATED	-
WEIGHT	0.9	grams

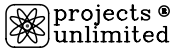
REVISIONS			
LTR	DESCRIPTION	DATE	APPROVED
-	RELEASED FROM ENGINEERING	4/24/01	
A	MODIFIED DRAWING	5/6/03	S.J.
B	REVISED TO NEW TEMPLATE	6/3/04	S.J.
C	REVISED TERMINAL MATERIAL	1/6/06	B.R.
D	REVISED TERMINAL MATERIAL	02/16/06	R.W.



NOTES:

1. ALL DIMENSIONS ARE IN MILLIMETERS.
2. SPECIFICATION SUBJECT TO CHANGE OR WITHDRAWAL WITHOUT NOTICE.

FILE NAME  
SMT-753TF.DWG

UNLESS OTHERWISE SPECIFIED: DIMENSIONS ARE IN MILLIMETERS; TOLERANCES ARE ±0.5 AND ANGLES ARE ±3°.		 projects® unlimited Dayton, Ohio							
<table border="1"> <thead> <tr> <th>APPROVALS</th> <th>DATE</th> </tr> </thead> <tbody> <tr> <td>DRAWN <i>RABL</i></td> <td>4/01</td> </tr> <tr> <td>APPROVED <i>S.J.</i></td> <td>4/01</td> </tr> </tbody> </table>		APPROVALS	DATE	DRAWN <i>RABL</i>	4/01	APPROVED <i>S.J.</i>	4/01	SURFACE MOUNT TRANSDUCER	
APPROVALS	DATE								
DRAWN <i>RABL</i>	4/01								
APPROVED <i>S.J.</i>	4/01								
SIZE A	DRAWING NO. SMT-753TF								
DO NOT SCALE DRAWING		SCALE: N.T.S.	SHEET 1 OF 1						