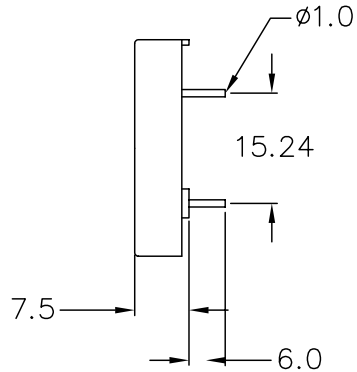
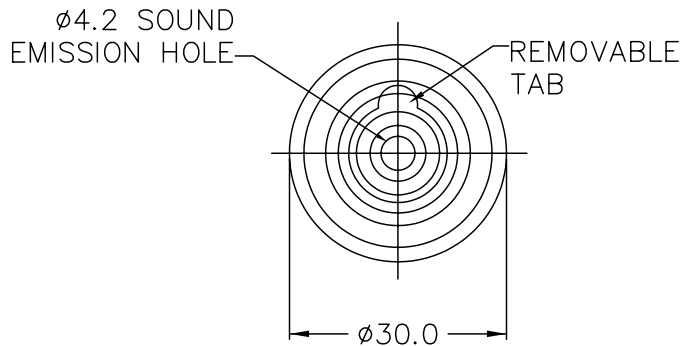


THIS DOCUMENT CONTAINS DATA PROPRIETARY TO PROJECTS UNLIMITED, INC. ANY USE OR REPRODUCTION, IN ANY FORM, WITHOUT PRIOR WRITTEN PERMISSION OF PROJECTS UNLIMITED, INC. IS PROHIBITED.
© 2005, Projects Unlimited Inc.

SPECIFICATIONS

PARAMETERS	VALUES	UNITS
RATED VOLTAGE	10	Vp-p
OPERATING VOLTAGE RANGE	1 ~ 30	Vp-p
RATED CURRENT (MAX)	10	mA
CAPACITANCE	16,000±30%	pF
MINIMUM SPL @ 10 CM	85	dB
RESONANT FREQUENCY	4,600±500	Hz
OPERATING TEMPERATURE	-30 ~ +80	°C
STORAGE TEMPERATURE	-40 ~ +80	°C
HOUSING MATERIAL	ABS	-
TERMINAL MATERIAL	PbSn PLATED	-
WEIGHT	4.3	grams

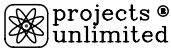
REVISIONS			
LTR	DESCRIPTION	DATE	APPROVED
-	RELEASED FROM ENGINEERING	5/6/02	
A	REVISED TO NEW TEMPLATE	8/2/04	R.W.
B	REVISED RES. FREQ. & SOUND HOLE DIM.	10/10/05	B.R.
C	REVISED RATED VOLTAGE	12/19/05	R.W.



NOTES:

1. ALL DIMENSIONS ARE IN MILLIMETERS.
2. SPECIFICATION SUBJECT TO CHANGE OR WITHDRAWAL WITHOUT NOTICE.

FILE NAME
AT-132.DWG

UNLESS OTHERWISE SPECIFIED: DIMENSIONS ARE IN MILLIMETERS. TOLERANCES ARE ±0.5 AND ANGLES ARE ±3°.		 projects® unlimited Dayton, Ohio									
<table border="1"> <thead> <tr> <th>APPROVALS</th> <th>DATE</th> </tr> </thead> <tbody> <tr> <td>DRAWN <i>RABL</i></td> <td>5/02</td> </tr> <tr> <td>CHECKED <i>S.J.</i></td> <td>5/02</td> </tr> <tr> <td>APPROVED <i>X.X.</i></td> <td>X/XX</td> </tr> </tbody> </table>		APPROVALS	DATE	DRAWN <i>RABL</i>	5/02	CHECKED <i>S.J.</i>	5/02	APPROVED <i>X.X.</i>	X/XX	<p>TRANSDUCER(PIEZO)</p>	
APPROVALS	DATE										
DRAWN <i>RABL</i>	5/02										
CHECKED <i>S.J.</i>	5/02										
APPROVED <i>X.X.</i>	X/XX										
DO NOT SCALE DRAWING		SIZE A	DRAWING NO. AT-132								
		SCALE: N.T.S.	SHEET 1 OF 1								