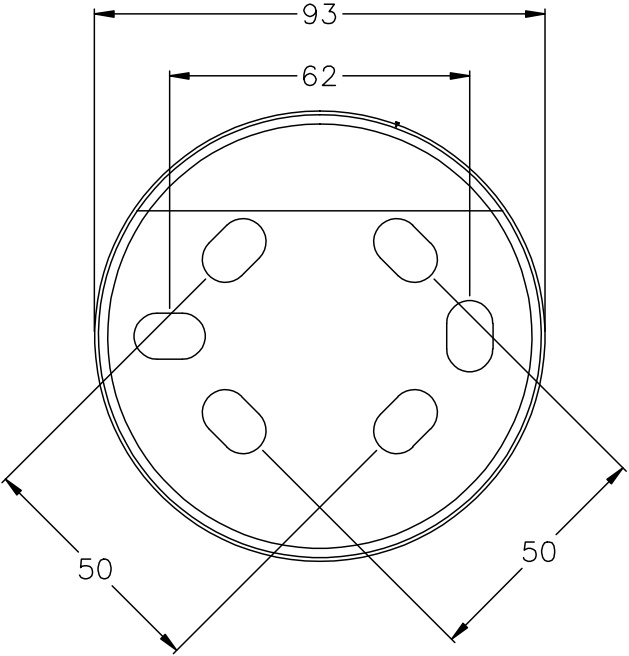
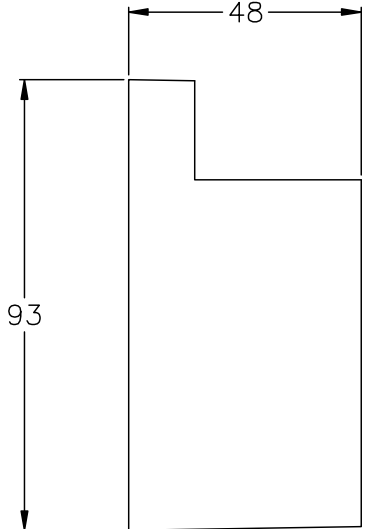


THIS DOCUMENT CONTAINS DATA PROPRIETARY TO PROJECTS UNLIMITED, INC. ANY USE OR REPRODUCTION, IN ANY FORM, WITHOUT PRIOR WRITTEN PERMISSION OF PROJECTS UNLIMITED, INC. IS PROHIBITED.  
 ©2005, Projects Unlimited Inc.

REVISIONS			
LTR	DESCRIPTION	DATE	APPROVED
-	RELEASED FROM ENGINEERING	5/22/07	



- NOTES:
1. ALL DIMENSIONS ARE IN MILLIMETERS.
  2. SPECIFICATION SUBJECT TO CHANGE OR WITHDRAWAL WITHOUT NOTICE.

UNLESS OTHERWISE SPECIFIED:  
 DIMENSIONS ARE IN MILLIMETERS. TOLERANCES ARE ±0.5 AND ANGLES ARE ±3°.



U BASE

APPROVALS	DATE
DRAWN <i>J.D.</i>	5/07
CHECKED <i>D.F.</i>	5/07
APPROVED <i>R.W.</i>	5/07

SIZE  
A

DRAWING NO.  
AWA-UBR

FILE NAME  
AWA-UBR.dwg

DO NOT SCALE DRAWING

SCALE: N.T.S.

SHEET 1 OF 1