

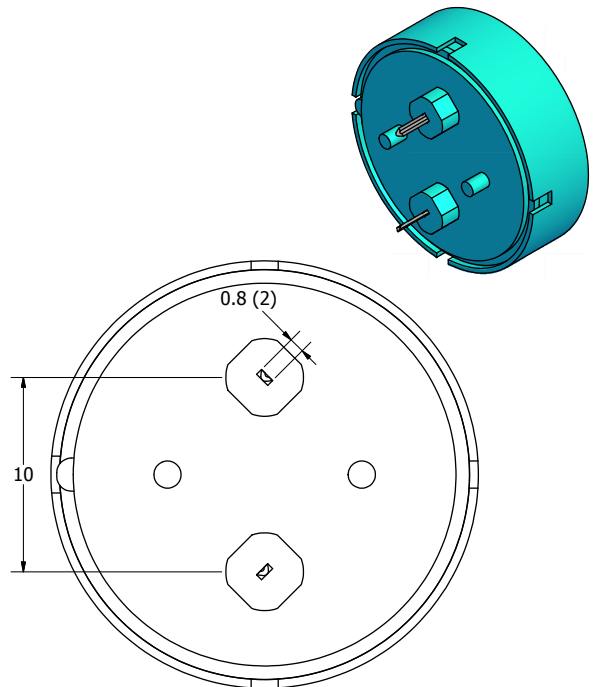
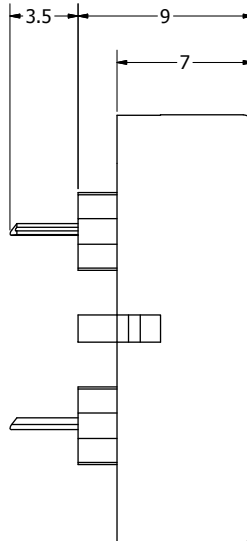
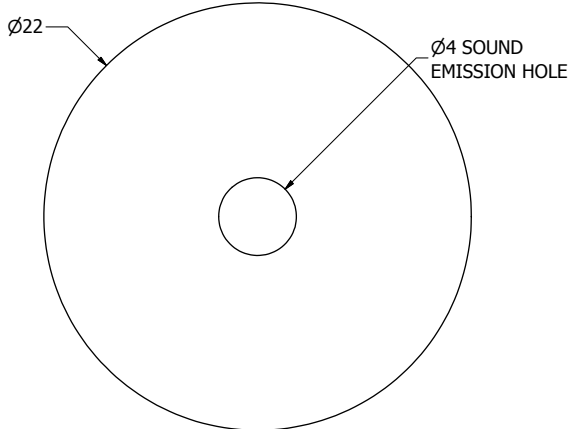
## SPECIFICATIONS

| PARAMETERS              | VALUES          | UNIT  |
|-------------------------|-----------------|-------|
| RATED VOLTAGE           | 3               | Vp-p  |
| OPERATING VOLTAGE RANGE | 1 ~ 30          | Vp-p  |
| RATED CURRENT (MAX)     | 3               | mA    |
| CAPACITANCE             | 15,000 ± 30%    | pF    |
| MINIMUM SPL @ 10 CM     | 80              | dB    |
| RESONANT FREQUENCY      | 4,000 ± 500     | Hz    |
| OPERATING TEMPERATURE   | -20 ~ +70       | °C    |
| STORAGE TEMPERATURE     | -30 ~ +80       | °C    |
| HOUSING MATERIAL        | PBT             | -     |
| TERMINAL MATERIAL       | Sn PLATED BRASS | -     |
| WEIGHT                  | 2               | grams |

THIS DOCUMENT CONTAINS DATA PROPRIETARY TO PROJECTS UNLIMITED, INC. ANY USE OR REPRODUCTION, IN ANY FORM, WITHOUT PRIOR WRITTEN PERMISSION OF PROJECTS UNLIMITED, INC. IS PROHIBITED.  
©2003, Projects Unlimited Inc.


## REVISION HISTORY

| LTR | DESCRIPTION                              | DATE       | APPROVED |
|-----|--|------------|----------|
| -   | RELEASED FROM ENGINEERING                | 12/01/2004 |          |
| A   | REMOVED LEAD FREE ADDED RoHS NOTE        | 8/10/2005  |          |
| B   | REVISED TO INVENTOR 3-D DRAWING TEMPLATE | 8/07/2008  | B.R.     |



### NOTES:

1. ALL DIMENSIONS ARE IN MILLIMETERS.
2. SPECIFICATIONS SUBJECT TO CHANGE OR WITHDRAWAL WITHOUT NOTICE.
3. THIS PART IS RoHS 2002/95/EC COMPLIANT.

|  |      |  |          |   |      |             |          |            |       |
|--|------|--|----------|---|------|-------------|----------|------------|-------|
| UNLESS OTHERWISE SPECIFIED:<br>DIMENSIONS ARE IN MILLIMETERS,<br>TOLERANCES ARE $\pm 0.5$ AND ANGLES ARE $\pm 3^\circ$ . | SIZE | Designed by  | Date     | Checked by                                | Date | Approved by | Date     | Drawn Date |       |
|  | A3   | R.A.C.   | 3/4/2004 |   |      | R.W.        | 3/4/2004 | 8/7/2008   |       |
| AT-2240-TT-R.idw   |      |  |          | <b>AT-2240-TT-R</b><br>Transducer (Piezo) |      |             |          | Edition    | Sheet |
|  |      |  |          |   |      |             |          | -          | 1 / 1 |