

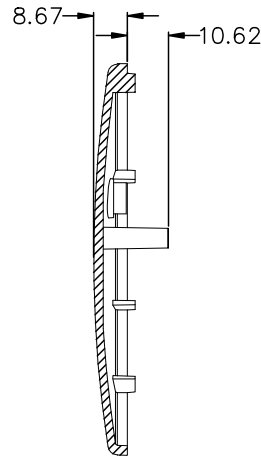
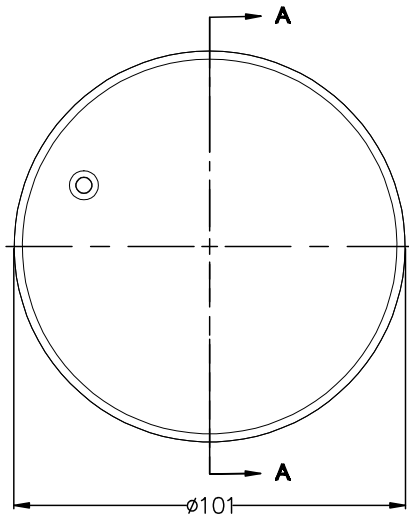
THIS DOCUMENT CONTAINS DATA PROPRIETARY TO PROJECTS UNLIMITED, INC. ANY USE OR REPRODUCTION, IN ANY FORM, WITHOUT PRIOR WRITTEN PERMISSION OF PROJECTS UNLIMITED, INC. IS PROHIBITED.  
© 2005, Projects Unlimited Inc.

**SPECIFICATIONS**

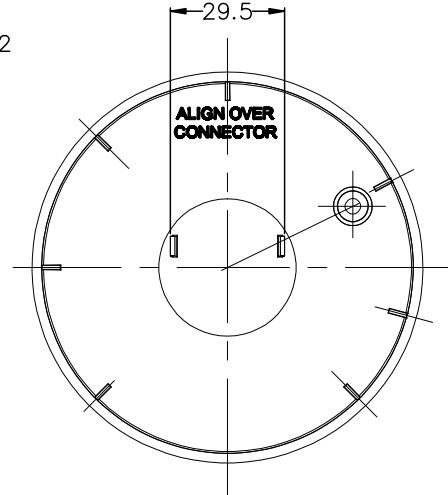
PARAMETERS	VALUES	UNITS
MATERIAL	ABS	-
COLOR	WHITE	-

**REVISIONS**

LTR	DESCRIPTION	DATE	APPROVED
-	RELEASED FROM ENGINEERING	12/7/05	
A	ADDED NOTES 3 & 4	5/21/07	R.W.



**SECTION A-A**



**NOTES:**

1. ALL DIMENSIONS ARE IN MILLIMETERS.
2. SPECIFICATION SUBJECT TO CHANGE OR WITHDRAWAL WITHOUT NOTICE.
3. THIS PART IS RoHS 2002/95/EC COMPLIANT.
4. FITS AWA-05MW-NC

FILE NAME  
AWA-05MWC.DWG

UNLESS OTHERWISE SPECIFIED:  
DIMENSIONS ARE IN MILLIMETERS. TOLERANCES ARE  $\pm 0.5$  AND ANGLES ARE  $\pm 3^\circ$ .

**projects® unlimited**  
Dayton, Ohio

**COVER**

APPROVALS	DATE
DRAWN <i>J.A.F.</i>	12/05
CHECKED <i>E.P.</i>	12/05
APPROVED <i>B.R.</i>	12/05

SIZE  
A

DRAWING NO.  
AWA-05MWC

DO NOT SCALE DRAWING

SCALE: N.T.S.

SHEET 1 OF 1