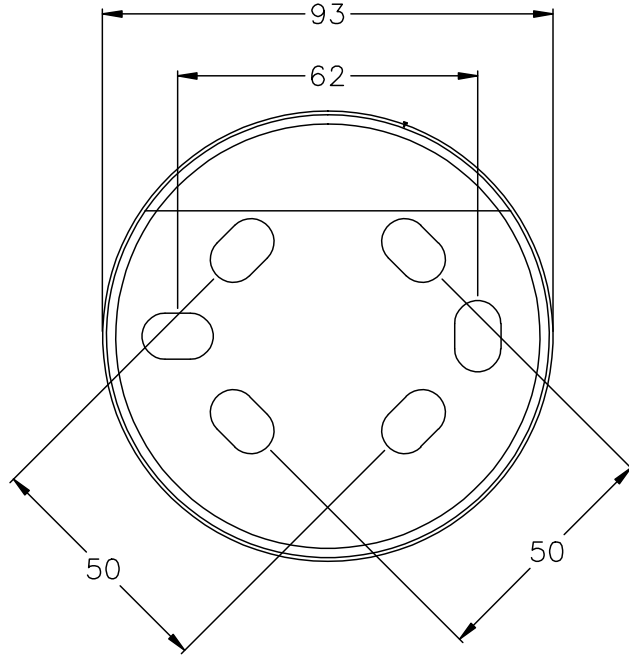
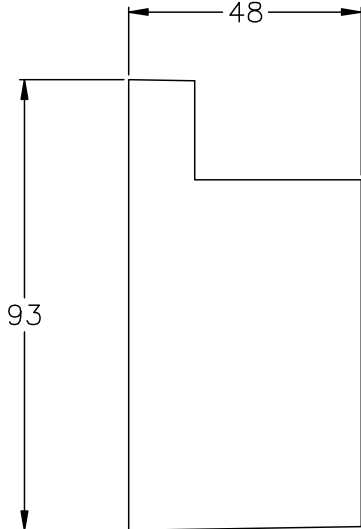



THIS DOCUMENT CONTAINS DATA PROPRIETARY TO PROJECTS UNLIMITED, INC. ANY USE OR REPRODUCTION, IN ANY FORM, WITHOUT PRIOR WRITTEN PERMISSION OF PROJECTS UNLIMITED, INC. IS PROHIBITED.
 ©2005, Projects Unlimited Inc.

| REVISIONS | | | |
|-----------|---------------------------|---------|----------|
| LTR | DESCRIPTION | DATE | APPROVED |
| - | RELEASED FROM ENGINEERING | 5/22/07 | |



- NOTES:
1. ALL DIMENSIONS ARE IN MILLIMETERS.
 2. SPECIFICATION SUBJECT TO CHANGE OR WITHDRAWAL WITHOUT NOTICE.

| UNLESS OTHERWISE SPECIFIED: DIMENSIONS ARE IN MILLIMETERS. TOLERANCES ARE ±0.5 AND ANGLES ARE ±3°. | |  Dayton, Ohio | | | | | | | | | |
|--|-------------|--|--------------|-------------------|------------------------|---------------------|------|----------------------|------|--------|--|
| <table border="1"> <thead> <tr> <th>APPROVALS</th> <th>DATE</th> </tr> </thead> <tbody> <tr> <td>DRAWN <i>J.D.</i></td> <td>5/07</td> </tr> <tr> <td>CHECKED <i>D.F.</i></td> <td>5/07</td> </tr> <tr> <td>APPROVED <i>R.W.</i></td> <td>5/07</td> </tr> </tbody> </table> | | APPROVALS | DATE | DRAWN <i>J.D.</i> | 5/07 | CHECKED <i>D.F.</i> | 5/07 | APPROVED <i>R.W.</i> | 5/07 | U BASE | |
| APPROVALS | DATE | | | | | | | | | | |
| DRAWN <i>J.D.</i> | 5/07 | | | | | | | | | | |
| CHECKED <i>D.F.</i> | 5/07 | | | | | | | | | | |
| APPROVED <i>R.W.</i> | 5/07 | | | | | | | | | | |
| <table border="1"> <tr> <td>FILE NAME</td> <td>AWA-UBW.dwg</td> </tr> </table> | | FILE NAME | AWA-UBW.dwg | SIZE A | DRAWING NO. AWA-UBW | | | | | | |
| FILE NAME | AWA-UBW.dwg | | | | | | | | | | |
| DO NOT SCALE DRAWING | | SCALE: N.T.S. | SHEET 1 OF 1 | | | | | | | | |