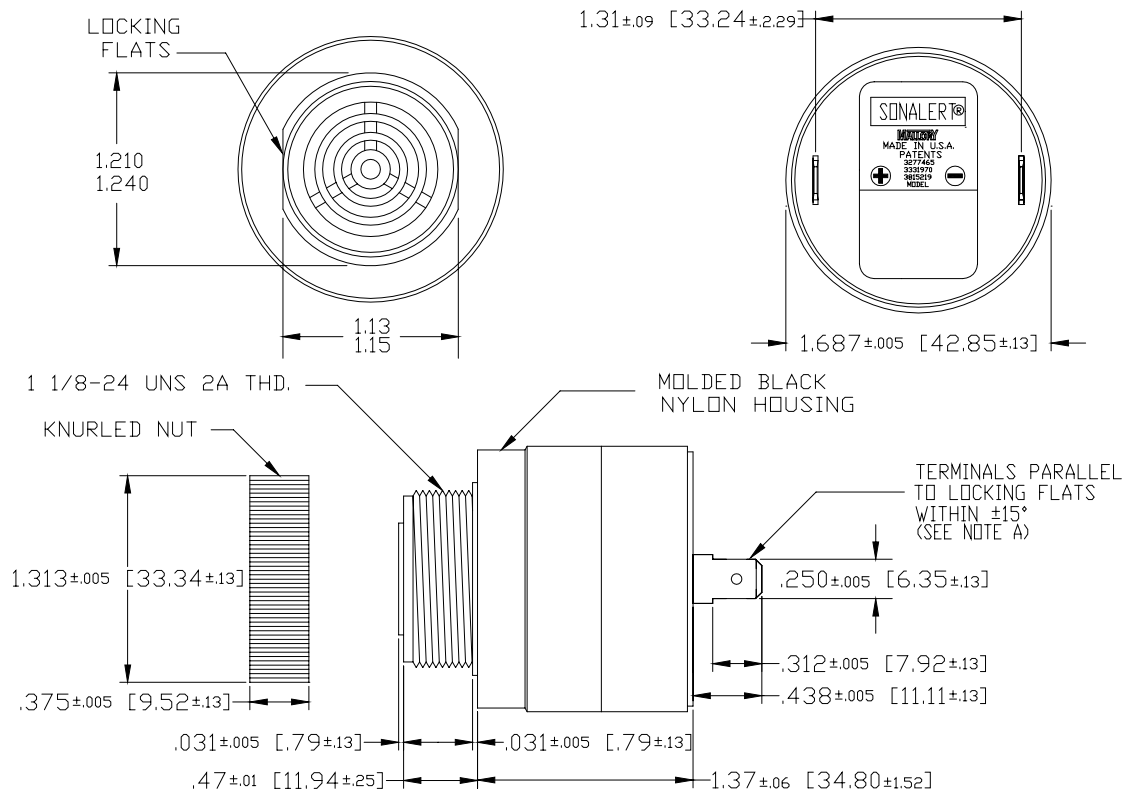


Not for Use in New Designs- Use SC2036CPR

Spec

Sound level Category	Medium Sound Level
Mode of Operation	Single Pulse, Chime
Mounting	Panel (see note B)
Voltage Rating	20 to 36 Vdc
Frequency	1000 Hz ±100 Hz
Loudness (Min. Voltage)	68 dB(A) @ 2 FT and 20 Vdc
Loudness (Max Voltage)	74 dB(A) @ 2FT and 36 Vdc
Current Draw	12 mA Max @ 20 Vdc
Current Draw	25 mA Max @ 36 Vdc
Storage Temperature	-40°C to +85°C
Operating Temperature	-30°C to +65°C
Weight (Typical)	1.8 oz (51 g)
Housing	6/6 Nylon, Color Black
Options	For other options contact factory

Dimensions: Inches (mm)



NOTE A: TERMINALS-.032 BRASS, TIN PLATED WITH .070 DIA. WIRE HOLE. WILL ACCEPT 1/4" QUICK CONNECT.

NOTE B: MOUNTING- REMOVE BLACK PLASTIC NUT AND INSERT THREADED FRONT THROUGH 1.25" HOLE PUNCHED IN PANEL, IF ORIENTATION IS NEEDED, NOTE LOCKING FLATS ON DRAWING. SCREW NUT BACK ON. DO NOT OVERTIGHTEN.