

SPECIFICATIONS

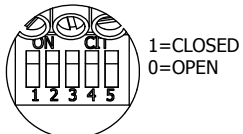
PARAMETERS	VALUES	UNITS
RATED VOLTAGE	24	Vdc
OPERATING VOLTAGE RANGE	9 ~ 28	Vdc
tone OUTPUT	SEE 32 TONE CHART	-
CURRENT CONSUMPTION (NOMINAL)	SEE 32 TONE CHART	mA
INGRESS PROTECTION	IP33	-
LENS COLOR	RED	-
FLASH RATE	1	PER/SECOND
CASE MATERIAL/COLOR	ABS/RED	-
TERMINAL	SCREW	-
OPERATING TEMPERATURE	-10 ~ +60	°C
WEIGHT	270	grams

THIS DOCUMENT CONTAINS DATA PROPRIETARY TO PROJECTS UNLIMITED, INC. ANY USE OR REPRODUCTION, IN ANY FORM, WITHOUT PRIOR WRITTEN PERMISSION OF PROJECTS UNLIMITED, INC. IS PROHIBITED. ©2003, Projects Unlimited Inc.

REVISION HISTORY

LTR	DESCRIPTION	DATE	APPROVED
-	RELEASED FROM ENGINEERING	12/15/2005	
A	ADDED RoHS & REVISED BASE NOTES	5/21/2007	R.W.
B	REVISED DETAIL "A" DIL SWITCH	3/11/2009	B.R.
C	REVISED TO INVENTOR 3-D DRAWING TEMPLATE	3/13/2009	B.R.

DETAIL "A"



DETAIL "B"

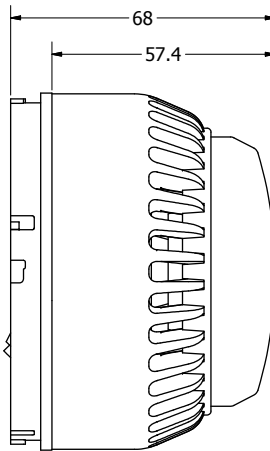
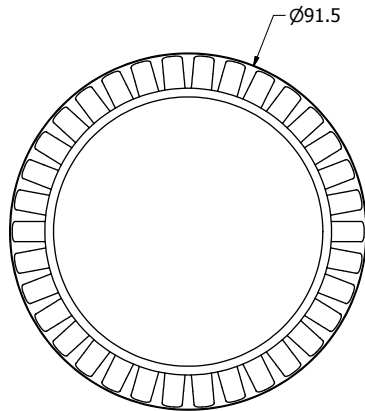
VOLUME CONTROL



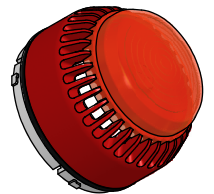
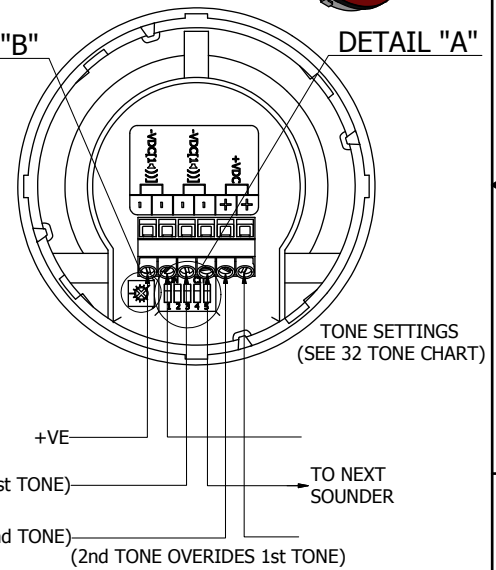
OPTIONAL BASES
 DEEP BASE: AWA-DBR
 U BASE: AWA-UBR
 120Vac BASE: AWA-DBR-120


NOTES:

- ALL DIMENSIONS ARE IN MILLIMETERS.
- SPECIFICATIONS SUBJECT TO CHANGE OR WITHDRAWAL WITHOUT NOTICE.
- FOR SECOND TONE, CONNECT THIRD WIRE TO -ve.
- THIS PART IS RoHS 2002/95/EC COMPLIANT.
- IP65 WITH USE OF AWA-DBR, AWA-DBR-120, OR AWA-UBR BASE.



DETAIL "B"



UNLESS OTHERWISE SPECIFIED: DIMENSIONS ARE IN MILLIMETERS, TOLERANCES ARE ±0.5 AND ANGLES ARE ±3°.	SIZE	Designed by	Date	Checked by	Date	Approved by	Date	Drawn Date
	A3	J.A.F.	12/15/2005	E.P.	12/15/2005	B.R.	12/15/2005	3/13/2009
AVW-15LPNBR-RL.idw			AVW-15LPNBR-RL Siren			Edition	Sheet	
						-	1 / 1	