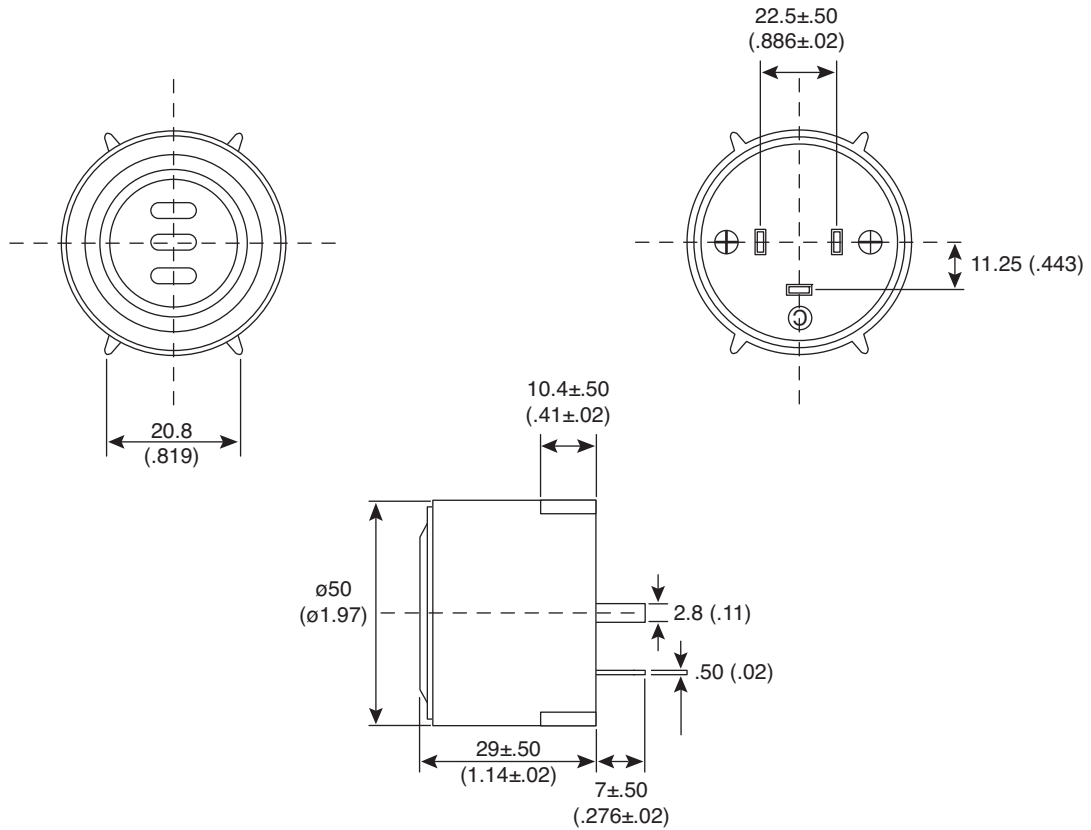


**Part Number:**

254-PB505-ROX

Piezo Buzzer (Self Drive)



KT-400468

**Electrical Specifications:**

- Rated Voltage: 12 VDC
- Operating Voltage: 8-24 VDC
- Rated Current: 120 mA (max.)
- Sound Output: 100 dBA (min.)
- Resonant Frequency: 2500Hz±500

**Mechanical Specifications:**

- Operating Temperature: -20°C~+60°C
- Storage Temperature: -20°C~+70°C

**Note:**

- RoHS Compliant by Exemption