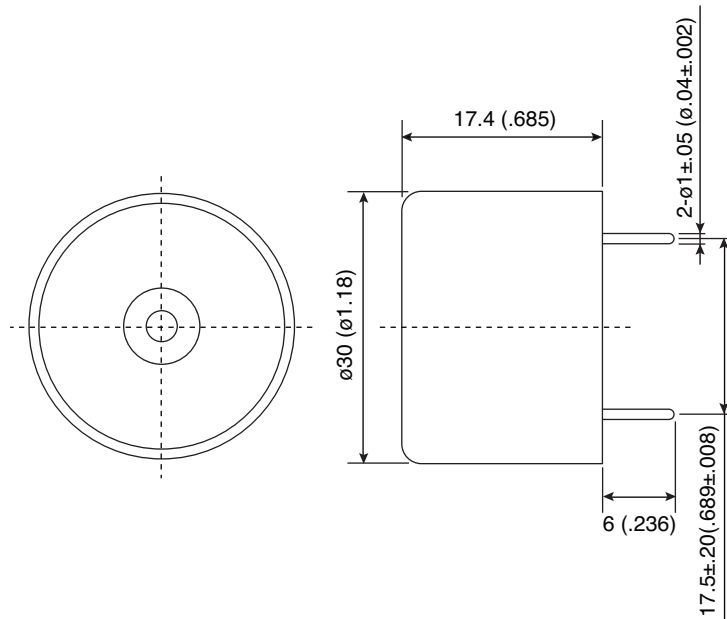


Part Number:

254-PB302-ROX

Piezoelectric Buzzer



KT-400368

Electrical Specifications:

- Rated Voltage: 12VDC
- Operating Voltage: 3~20VDC
- Rated Current: 10mA(max)
- Sound Output at 10cm: 90dBA(min)
- Resonant Frequency: 3200Hz \pm 500

Mechanical Specifications:

- Operating Temperature: -20°C ~ +60°C
- Storage Temperature: -30°C ~ +70°C

Note:

- RoHS Compliant by Exemption