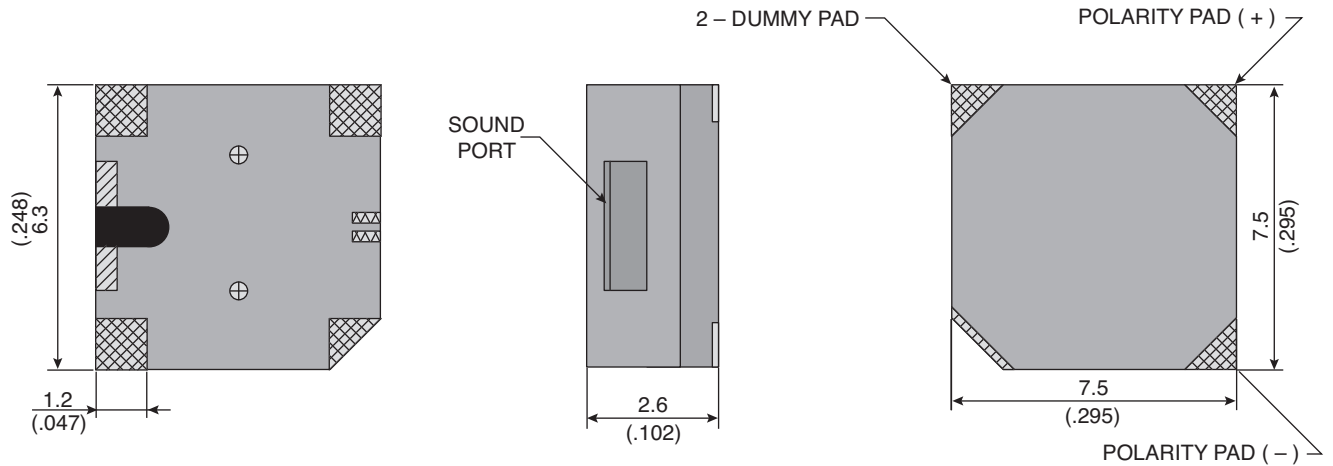


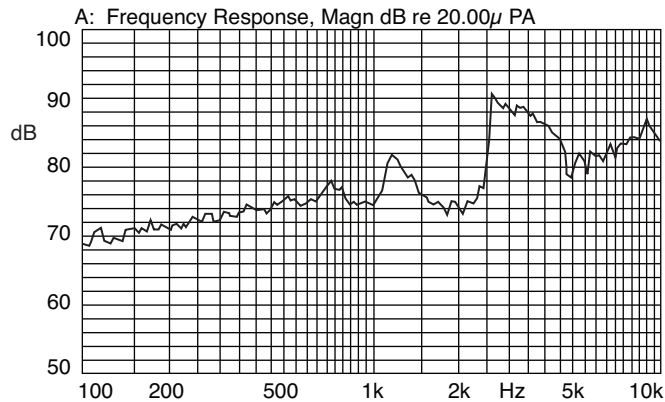
Part Number:

254-EMB74-RO



Magnetic Buzzer

Frequency Response Curve:



KT-400390

Electrical Specifications:

- Rated Voltage: 3.6Vo-p
- Operating Voltage: 3.0 ~ 4.5Vo-p
- Consumption Current: 100mA(Max)
- Sound Pressure Label: 87dBA(Min)
- Resonant Frequency: 2700Hz
- Coil Resistance: 15Ω± 3

Mechanical Specifications:

- Operating Temperature: -30°C ~ +75°C
- Storage Temperature: -40°C ~ +85°C

Note:

- RoHS Compliant