

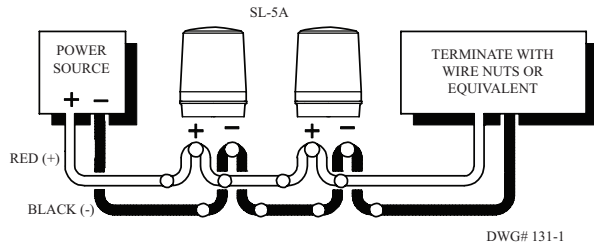


- Polarized using filtered DC or unfiltered FWR input voltage
- 12/24V DC selectable voltage
- Solid state circuitry and a xenon flash tube
- Impact resistant black abs base
- Interchangeable polycarbonate lens
- Optional surface mount plate Model 4SP-MW
- Replacement interchangeable lens Model SL-LG
- Over 200 hours of operating life

The SL-5A series strobes are a high performance, high intensity, solid state strobe, designed for applications where 360° visual annunciation is required. The strobe is polarized for connecting to supervised circuits and is designed with a xenon flash tube. The SL-5A is a high profile strobe with a low current draw of 250mA at 24V DC. The strobe can be used as a stand alone or in combination with other signaling devices to provide a visual verification signal. The SL-5A

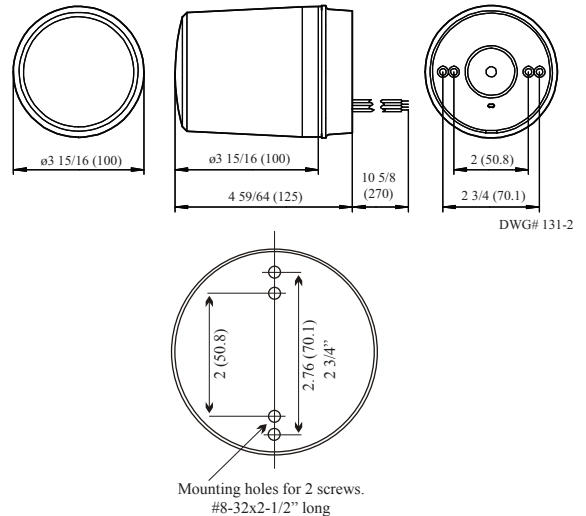
series strobes are recommended for use in areas such as; parking facilities, schools, corridors, apartments, office buildings, restaurants, hotels, and any other application where effective visual warning is required. Installation must comply in accordance with applicable standards and/or all state and local electrical codes and authority having jurisdiction.

Wiring



Dimensions

Package Includes: 1 ea. M3x6 screw and 2 ea. Rubber washers



Model Number	Stock Number	Input Voltage	Strobe Lens Color	Average Current Amps	Rush Current Amps	Flash Rate (Flash/Min.)	Operating Temperature Range
SL-5A	4670025	12V/24V DC	Body only	0.500 @ 12V DC	1.0 @ 12V DC	1 Flash/sec	32°F - 120°F 0°C - 49°C
SL-5AC	4670026		Clear				
SL-5AB	4670027		Blue	0.250 @ 24V DC	.5 @ 24V DC		
SL-5AA	4670028		Amber				
SL-5AR	4670029		Red				

Engineering Specifications

The visual alarm indicating appliance shall be Potter Model SL-5A or equivalent device. The strobe shall be available in amber, blue, clear, and red lens. The signaling strobe shall operate from a non-coded regulated DC supply or full wave rectified, unfiltered supply. The signaling strobe shall be designed to produce a signal flash of 50-90

flashes per minute with continuously applied voltage. The strobe shall be capable of surface mounting to a 4" square box using a Potter 4SP-MW plate. Visual signaling devices shall be installed as per plans and specifications.