

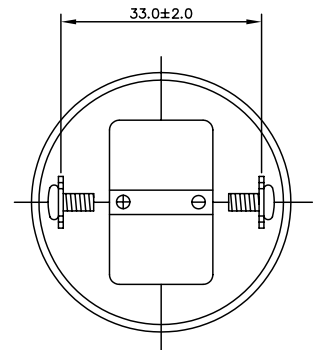
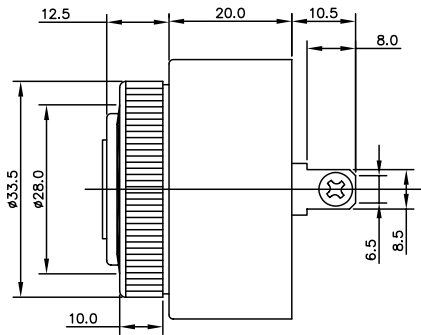
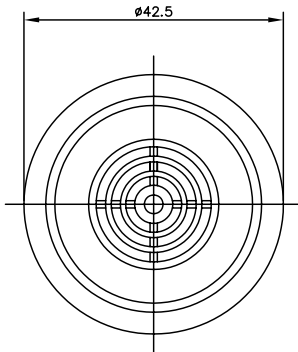
THIS DOCUMENT CONTAINS DATA PROPRIETARY TO PROJECTS UNLIMITED, INC. ANY USE OR REPRODUCTION, IN ANY FORM, WITHOUT PRIOR WRITTEN PERMISSION OF PROJECTS UNLIMITED, INC. IS PROHIBITED.  
© 2003, Projects Unlimited Inc.

SPECIFICATIONS

PARAMETERS	VALUES	UNITS
RATED VOLTAGE	110	Vdc
OPERATING VOLTAGE RANGE	30 ~ 120	Vdc/Vac
RATED CURRENT (MAX)	17	mA
MINIMUM SPL @ 10 cm.	86	dBA
RESONANT FREQUENCY	1,900±500	Hz
TONE OR PULSE RATE	CONTINUOUS	0 PULSE PER SECOND
OPERATING TEMPERATURE	-30 ~ +85	°C
STORAGE TEMPERATURE	-40 ~ +85	°C
HOUSING MATERIAL	NYLON	-
TERMINAL MATERIAL	UL-94-V-0 TIN-PLATED TAPPED SCREW	-
WEIGHT	38	grams

REVISIONS

LTR	DESCRIPTION	DATE	APPROVED
-	RELEASED FROM ENGINEERING	2/13/04	
A	ADDED Vac TO OPERATION VOLTAGE	4/25/05	R.W.
B	ADDED IP RATING	4/30/05	E. P.



NOTES:

1. ALL DIMENSIONS ARE IN MILLIMETERS.
2. SPECIFICATION SUBJECT TO CHANGE OR WITHDRAWAL WITHOUT NOTICE.
3. THIS PART IS IP67 RATED.

UNLESS OTHERWISE SPECIFIED:  
DIMENSIONS ARE IN MILLIMETERS, TOLERANCES ARE ±0.5 AND ANGLES ARE ±3°.

APPROVALS	DATE
DRAWN R. A. O.	2/04
APPROVED R. W.	2/04
DO NOT SCALE DRAWING	



Dayton, Ohio

ELECTRO MECH. AUDIO INDICATOR  
AI-4219-P-C120

THIS PART IS UL RECOGNIZED IN THE USA AND CANADA.



FILE NAME  
AI-4219-P-C120.DWG

SIZE  
A

DRAWING NO.  
AI-4219-P-C120

SCALE: N.T.S.

SHEET 1 OF 1