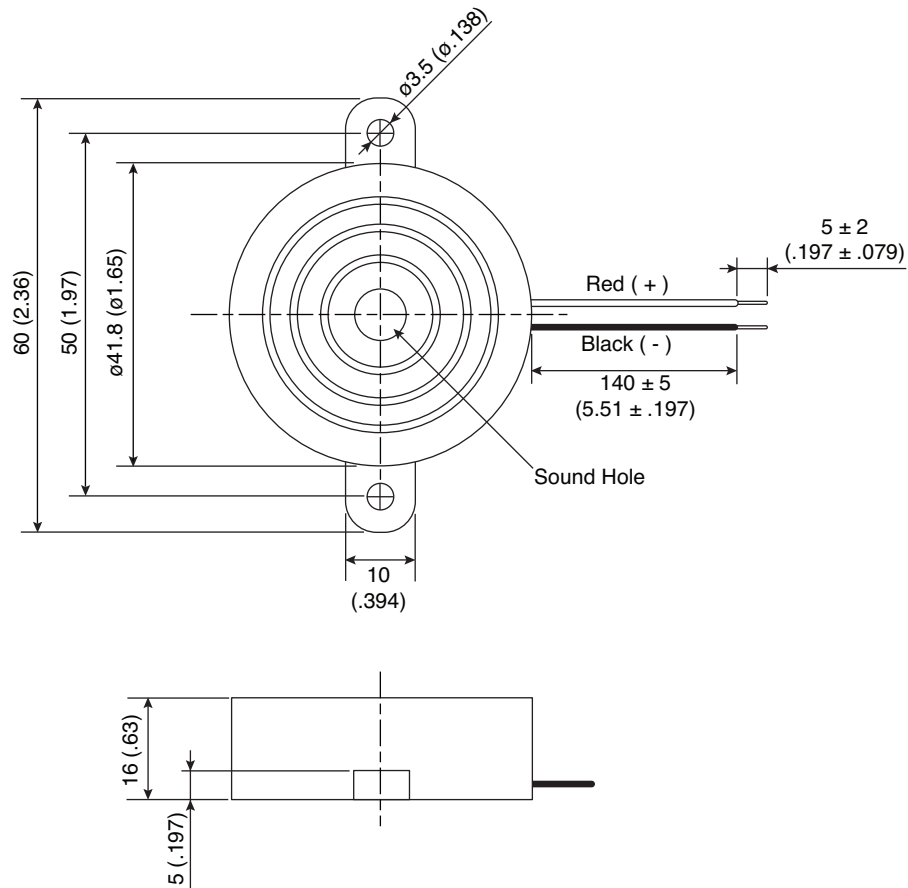


Part Number:

254-PB429-ROX

Piezoelectric Buzzer



KT-400376

Electrical Specifications:

- Rated Voltage: 12VDC
- Operating Voltage: 3 ~ 28VDC
- Rated Current: 9mA (max)
- Sound Output: 90dBa (min)
- Resonant Frequency: 2900Hz \pm 500

Mechanical Specifications:

- Operating Temperature: -20°C ~ +60°C
- Storage Temperature: -20°C ~ +70°C

Note:

- RoHS Compliant by Exemption