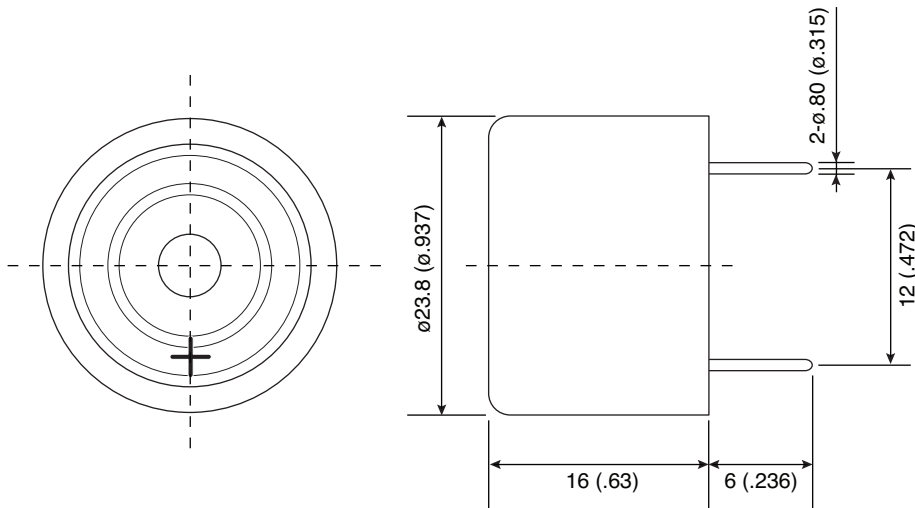


Part Number:

254-PB244-ROX

Piezoelectric Buzzer



KT-400375

Electrical Specifications:

- Rated Voltage: 12VDC
- Operating Voltage: 3~20VDC
- Rated Current: eeeeeee 9mA (max)
- Sound Output: 93dBa(min)
- Resonant Frequency: 3400Hz \pm 500

Mechanical Specifications:

- Operating Temperature: -20°C to + 60°C
- Storage Temperature: -20°C to + 70°C

Note:

- RoHS Compliant by Exemption