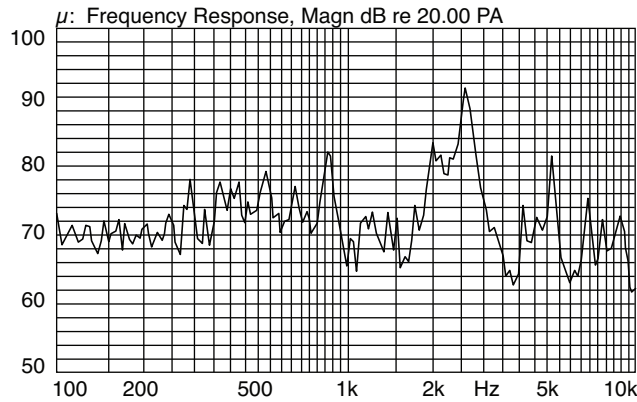
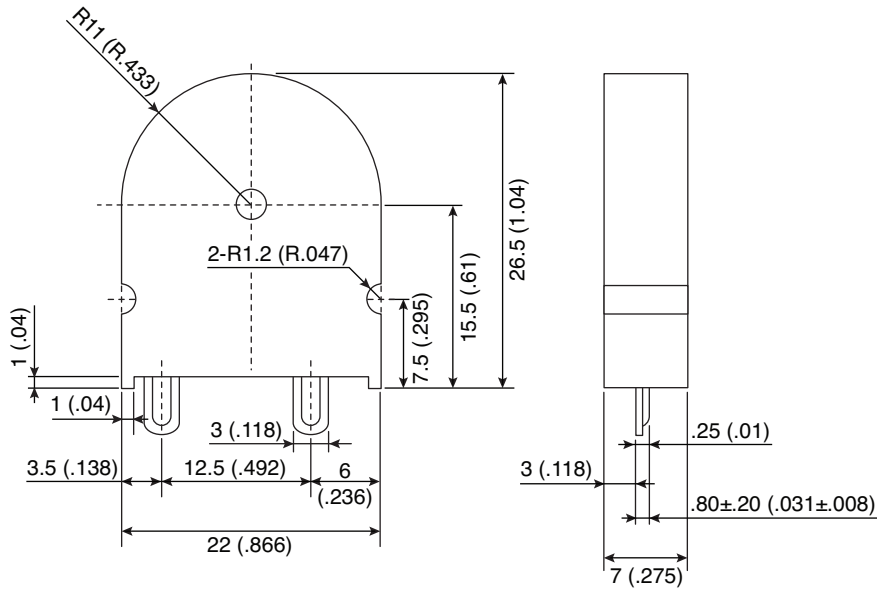


**Part Number:**

254-PB220-ROX

Piezoelectric Buzzer



KT-400362

**Electrical Specifications:**

- Rated Voltage: 3 Vo-p
- Current Consumption: 3mA
- Sound Pressure Level: 70 dBA At 10cm / 2KHz
- Resonant Frequency: 2000Hz ± 500 Hz
- Capacitance: 19000pF ± 30% At 120Hz

**Mechanical Specifications:**

- Operating Temperature: -20°C to + 70°C
- Storage Temperature: -30°C to + 80°C

**Note:**

- RoHS Compliant by Exemption