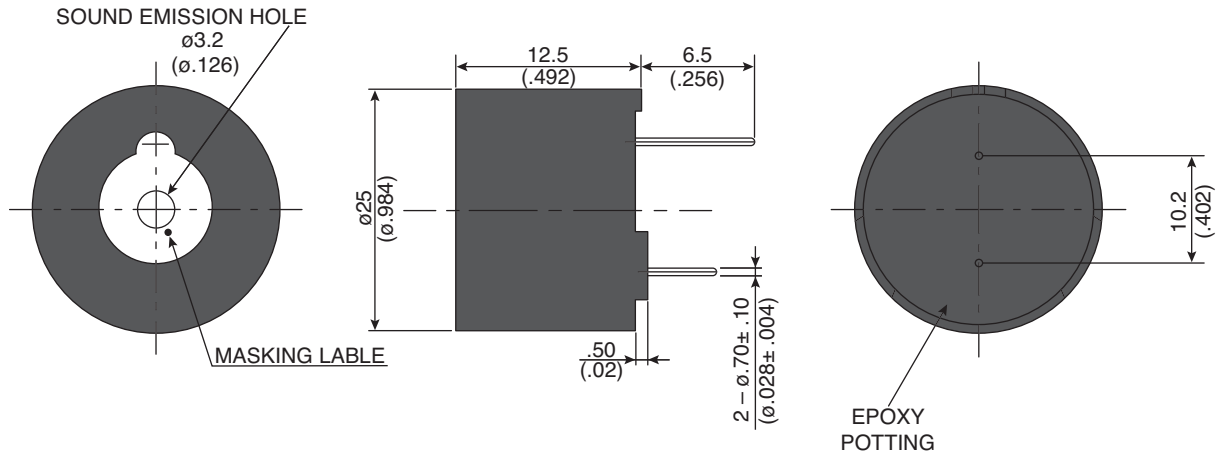


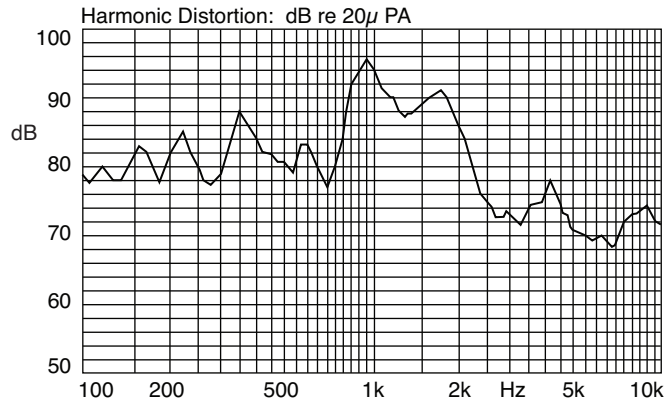
Part Number:

254-EMB22-RO



Magnetic Buzzer

Frequency Response Curve:



KT-400389

Electrical Specifications:

- Rated Voltage: 12Vo-p
- Operating Voltage: 6.0 ~ 16Vo-p
- Mean Current: 60mA(Max)
- Direct Current Resistance: 115Ω± 17
- Sound Output: 85dBA(Min)
- Rated Frequency: 1000Hz± 200

Mechanical Specifications:

- Operating Temperature: -40°C ~ +85°C
- Storage Temperature: -50°C ~ +95°C

Note:

- RoHS Compliant