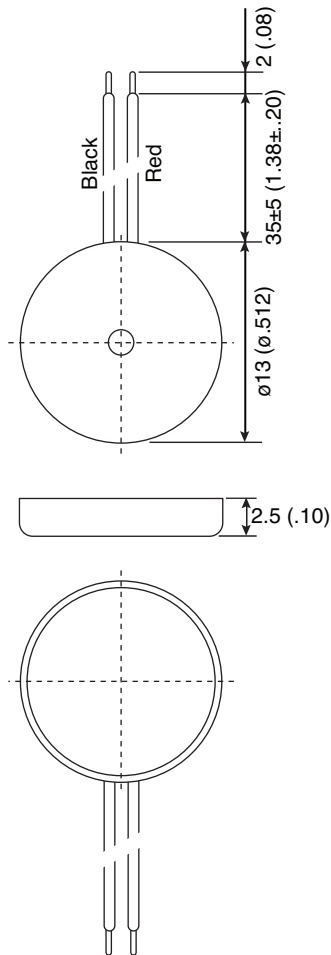
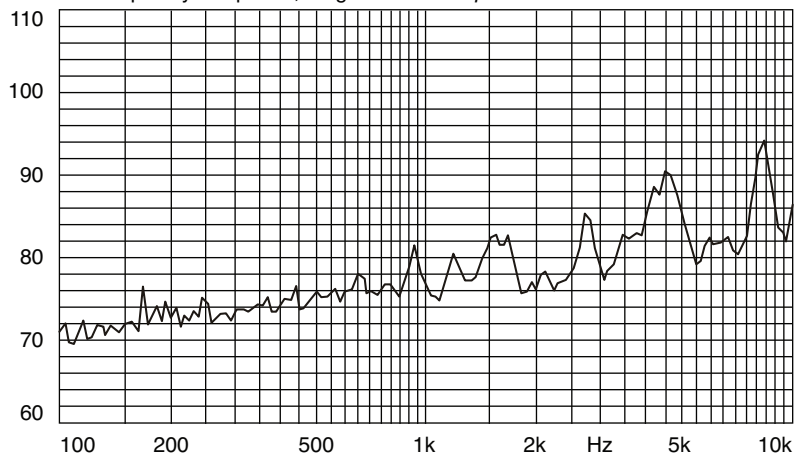


**Part Number:**

254-PB138-ROX

Piezoelectric Buzzer

A: Frequency Response, Magn dB re 20.00 $\mu$ PA

KT-400370

**Electrical Specifications:**

- Rated Voltage: 10 Vp-p
- Operating Voltage: 1~30 Vp-p
- Rated Current: 5mA(max)
- Sound Output At 10cm: 80dBA(min)
- Resonant Frequency: 4800Hz  $\pm$  500
- Capacitance: 15000pF $\pm$ 30% At 1KHz

**Mechanical Specifications:**

- Operating Temperature: -20°C ~ +70°C
- Storage Temperature: -30°C ~ +80°C

**Note:**

- RoHS Compliant by Exemption