


ME 22,5 UT/FE BUS/ 5 KMGY

Order No.: 2914071

<http://eshop.phoenixcontact.de/phoenix/treeViewClick.do?UID=2914071>

Lower part of housing, with vents, fully assembled, with metal foot catch, with integrated bus connector (5-pos.)

Commercial data

| | |
|----------------|--|
| GTIN (EAN) |  4 017918 950224 |
| Note | Made-to-order |
| sales group | F051 |
| Pack | 10 pcs. |
| Customs tariff | 85369010 |

Product notesWEEE/RoHS-compliant since:
04/01/2005

<http://www.download.phoenixcontact.com>
Please note that the data given here has been taken from the online catalog. For comprehensive information and data, please refer to the user documentation. The General Terms and Conditions of Use apply to Internet downloads.

Certificates / Approvals

Certification

CUL, UL

Accessories

| Item | Designation | Description |
|-----------------|----------------------|---|
| Assembly | | |
| 2709176 | ME B-12,5 3MSTBO GN | Filler plugs, for unoccupied terminal points |
| 2908498 | ME B-22,5 MKDSO KMGY | Filler plugs, for unoccupied terminal points |
| 2907965 | ME B-22,5 MSTBO KMGY | Filler plugs, for unoccupied terminal points |
| 2706302 | ME B-KA KMGY | Terminal cover, 1 strip covers up to 12 terminal points, for ME-BUS terminal opening, (male side) |
| 2906911 | ME LPZS | PCB stop, for soldering onto PCB |
| 2853899 | ME-SAS | Shield connection clamp for printed circuit terminal block |

General

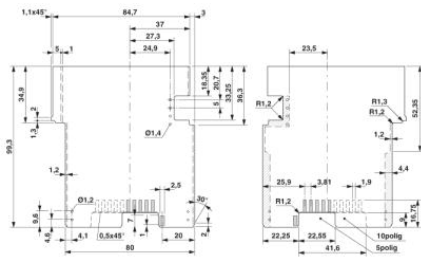
| | | |
|---------|--------------------|--|
| 2706700 | ME B-SA/NS 35 KMGY | Terminal cover, 1 strip covers up to 12 terminal points, for ME-BUS male side, (female side) |
|---------|--------------------|--|

Plug/Adapter

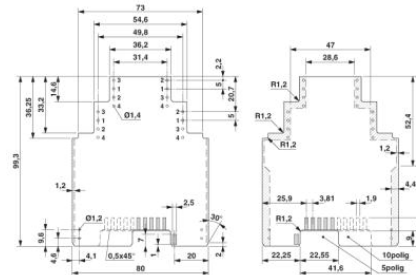
| | | |
|---------|---------|--|
| 1734634 | CP-MSTB | Keying profile, is inserted into the slot on the plug or inverted header, red insulating material |
| 1734401 | CR-MSTB | Coding section, inserted into the recess in the header or the inverted plug, red insulating material |

Diagrams/Drawings

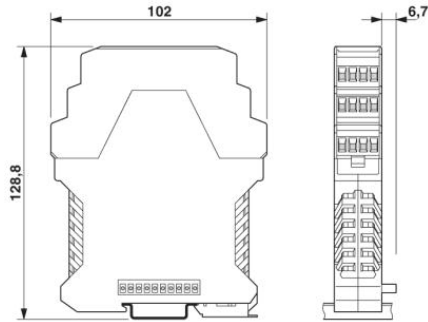
Dimensioned drawing



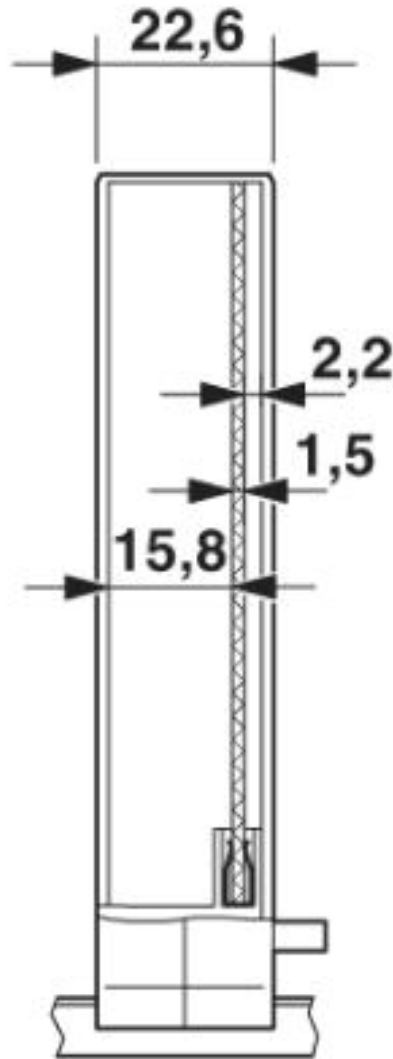
Dimensional drawing of the ME.../BUS5 and ME.../BUS10 printed circuit board if the single-level upper part is used



Dimensional drawing of the ME.../BUS5 and ME.../BUS10 printed circuit board if the double-level upper part is used



Dimensions of the electronics housing
ME.../BUS 5 and ME.../BUS 10 with triple-
level upper part



Internal housing dimensions, electronics
housing ME 22.5 BUS...

Address

PHOENIX CONTACT Inc., USA
586 Fulling Mill Road
Middletown, PA 17057, USA
Phone (800) 888-7388
Fax (717) 944-1625
<http://www.phoenixcon.com>



© 2011 Phoenix Contact
Technical modifications reserved;