


IB IL 24 DI16-2MBD-PAC

Order No.: 2861959

The illustration shows the version IB IL 24 DI 16

<http://eshop.phoenixcontact.de/phoenix/treeViewClick.do?UID=2861959>

Inline digital input terminal, complete with accessories (connector and labeling field), 16 inputs, 24 V DC, transmission speed 2 Mbaud, 2, 3-conductor connection system

| Commercial data | |
|--------------------------|---|
| GTIN (EAN) |  4 017918 974619 |
| sales group | K411 |
| Pack | 1 pcs. |
| Customs tariff | 85389091 |
| Catalog page information | Page 271 (AX-2009) |

Product notes

WEEE/RoHS-compliant since:
07/01/2006

<http://www.download.phoenixcontact.com>
Please note that the data given here has been taken from the online catalog. For comprehensive information and data, please refer to the user documentation. The General Terms and Conditions of Use apply to Internet downloads.

Product description

The digital Inline input terminals are designed for the connection of digital signals as are supplied from control switches, limit switches or proximity switches.

All the typical applications are covered by the standard automation terminals.

The I/O equipment is connected by a simple or an extended Inline connector, depending on the number of channels. The multi-wire connection method is available in both cases.

The Inline terminals can be labeled using hinged labeling fields. The fields have insert cards that can be labeled individually to suit the application. Additionally, there is the proven ZBFM-6... Zack strip for labeling the terminal points.

Technical data

General data

| | |
|--|---|
| Width | 48.8 mm |
| Height | 140.5 mm |
| Depth | 71.5 mm |
| Weight | 122 g |
| Note on weight specifications | Without plug |
| Mounting type | DIN rail |
| Ambient temperature (operation) | -25 °C ... 55 °C |
| Ambient temperature (storage/transport) | -25 °C ... 85 °C |
| Permissible humidity (operation) | 10 % ... 95 % (according to DIN EN 61131-2) |
| Permissible humidity (storage/transport) | 10 % ... 95 % (according to DIN EN 61131-2) |
| Air pressure (operation) | 70 kPa ... 106 kPa (up to 3000 m above sea level) |
| Air pressure (storage/transport) | 70 kPa ... 106 kPa (up to 3000 m above sea level) |
| Degree of protection | IP20 |
| Protection class | III, IEC 61140, EN 61140, VDE 0140-1 |

Interface

| | |
|--------------------|--------------------|
| Name | Local bus |
| Connection method | Inline data jumper |
| Transmission speed | 2 MBaud |

Power supply for module electronics

| | |
|----------------------------|--|
| Supply voltage | 24 V DC (via voltage jumper) |
| Supply voltage range | 19.2 V DC ... 30 V DC (including all tolerances, including ripple) |
| Supply current | 80 mA |
| Communications power U_L | 7.5 V (via voltage jumper) |
| Current consumption | max. 60 mA (from the local bus) |

Inline potential routing

| | |
|--------------------------------|-------------------------|
| Communications power U_L | 7.5 V DC |
| Current consumption from U_L | max. 60 mA |
| Segment supply voltage U_S | 24 V DC (nominal value) |
| Current consumption from U_S | max. 8 A |

Digital inputs

| | |
|--------------------------------|---------------------------------------|
| Input name | Digital inputs |
| Description of the input | EN 61131-2 type 1 |
| Connection method | Spring-cage connection |
| | 2, 3-wire |
| Number of inputs | 16 |
| Typical response time | < 1 ms |
| Protective circuit | Short-circuit and overload protection |
| Input voltage | 24 V DC (via voltage jumper) |
| Input voltage range "0" signal | -3 V DC ... 5 V DC |
| Input voltage range "1" signal | 15 V DC ... 30 V DC |

Certificates / Approvals



Certification

CUL Listed, UL Listed

Accessories

| Item | Designation | Description |
|----------------|------------------------|--|
| Marking | | |
| 1051993 | B-STIFT | Marker pen, for manual labeling of unprinted Zack strips, smear-proof and waterproof, line thickness 0.5 mm |
| 0809492 | ESL 62X10 | Insert strip for laser printer, lettering field: 62 x 10 mm |
| 2727501 | IB IL FIELD 2 | Labeling field, width: 12.2 mm |
| 0811228 | X-PEN 0,35 | Marker pen without ink cartridge, for manual labeling of markers, labeling extremely wipe-proof, line thickness 0.35 mm |
| 1051029 | ZB 6,QR:FORTL.ZAHLEN | Zack marker strip, 10-section, printed vertically: with consecutive numbers 1 - 10, 11 - 20, and so on up to 491 - 500, color: white |
| 1051045 | ZB 6,QR:GLEICHE ZAHLEN | Zack marker, labeled vertically: 10-section, with identical numbers, 1/1/1, 2/2/2 etc. up to 1000/1000/1000, color: White |
| 5060935 | ZB 6/WH-100:UNBEDRUCKT | Zack strip, unprinted: For individual labeling with M-PEN, ZB-T or CMS system, large batch, sufficient for labeling 1000 terminal blocks, for a terminal width of 6.2 mm, color: White |
| 1050499 | ZB 6:SO/CMS | Zack strip, 10-section, divisible, special printing, marking according to customer requirements |

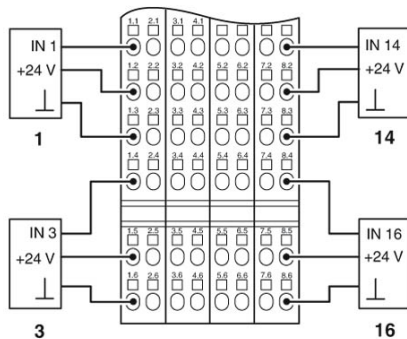
| | | |
|---------|----------------------|--|
| 1051003 | ZB 6:UNBEDRUCKT | Zack strip, unprinted, strips with 10 labels for individual labeling with M-PEN or CMS system, for terminal block width: 6.2 mm, color: white |
| 0807193 | ZBFM 6/OG:UNBEDRUCKT | Zack marker sheet, flat, unprinted: 100-section, 10 strips à 10 markers, sufficient for 100 terminal blocks, for all terminal blocks, pitch 6.2 mm, labeling with M-PEN or CMS system, color: orange |
| 0803618 | ZBFM 6/WH:UNBEDRUCKT | Zack marker sheet, flat, unprinted: 100-section, 10 strips à 10 markers, sufficient for 100 terminal blocks, for all terminal blocks, pitch 6.2 mm, labeling with M-PEN or CMS system, color: white |
| 0803650 | ZBFM 6:SO/CMS | Special printing, Zack marker sheet, flat, 100-section, divisible, marking according to customer requirements |

Plug/Adapter

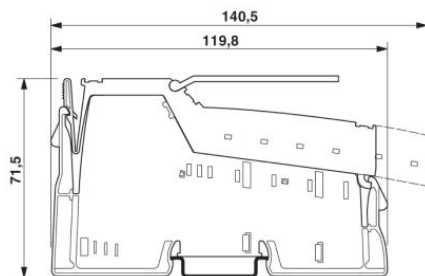
| | | |
|---------|----------------|---|
| 2726337 | IB IL SCN-8 | Connector, for digital 1, 2 or 8-channel Inline terminals |
| 2727608 | IB IL SCN-8-CP | Inline connector, colored |

Diagrams/Drawings

Connection diagram



Dimensioned drawing



Address

PHOENIX CONTACT Inc., USA
586 Fulling Mill Road
Middletown, PA 17057, USA
Phone (800) 888-7388
Fax (717) 944-1625
<http://www.phoenixcon.com>



© 2011 Phoenix Contact
Technical modifications reserved;