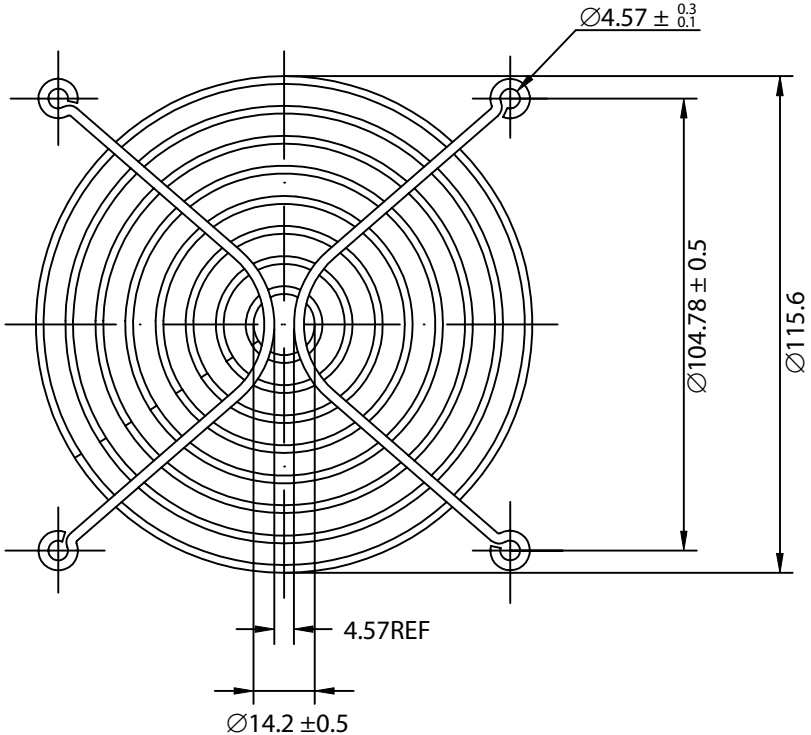


		Revision	
Rev.	Description	Date	Approved
A	NEW TOOLING	01-18-07	DP



NOTES:

1. MATERIAL: C1008 BRIGHT BASIC WIRE
2. FINISH: BRIGHT NICKEL CHROME PLATING
3. 0.35 ± 0.05 DEPTH OF SERRATIONS ON WIRE
4. RING: Ø1.8 ± 0.1mm
RIB: Ø1.8 ± 0.1mm
5. GENERAL TOLERANCE UNLESS NOTED IS ± 0.5mm
6. RoHS COMPLIANT



Dim range (mm)	Tolerance +/- (mm)	Qualtek Electronics Corp. FAN-S DIVISION		
		Part Number:	08170	RoHS Compliant
0-1	0.15	Description: WIRE FORM FAN GUARD (120mm)		
1-6	0.20			
6-18	0.30			
18-50	0.50		UNIT: mm	REV: A
50-120	0.70	Drawn / Date	Checked / Date	Approved / Date
120-250	0.90	B. Grubb 01-18-07	01-18-07	JJH / 01-18-07
250-500	1.20			