

# MCR-SL-S- 16-SP- 24


Order No.: 2864464



<http://eshop.phoenixcontact.de/phoenix/treeViewClick.do?UID=2864464>


MCR contactor, for sinusoidal alternating currents 0 ... 16 A AC/ 1 PDT



Commercial data	
GTIN (EAN)	 4 017918 904456
sales group	H571
Pack	1 pcs.
Customs tariff	85389091
Catalog page information	Page 719 (IF-2011)

**Product notes**

WEEE/RoHS-compliant since:  
11/09/2006



<http://www.download.phoenixcontact.com>  
Please note that the data given here has been taken from the online catalog. For comprehensive information and data, please refer to the user documentation. The General Terms and Conditions of Use apply to Internet downloads.

Technical data	
<b>Input data</b>	
Input	Current measuring input
Input current range	0 A AC ... 16 A AC
Impulse form	Sine
Overload capacity	2 x I <sub>N</sub> (continuous)

---

Nominal frequency $f_N$	50 Hz
	60 Hz
Frequency measuring range	45 Hz ... 65 Hz
Connection method	Through connection, diameter 4.2 mm

#### Switching output

Output name	Relay output
Contact type	1 PDT
Contact material	AgSnO, hard gold-plated
Maximum switching voltage	30 V AC
	36 V DC
	250 V AC
Limiting continuous current	50 mA (for gold layer, 30 V AC/ 36 V DC)
	2 A (in case of a destroyed gold layer, 250 V AC)
Setting range of the response delay	Typ. 0.1 s ... 10 s (Adjustable using a potentiometer)

#### Power supply

Supply voltage range	20 V DC ... 30 V DC
Max. current consumption	< 30 mA

#### Connection data

Connection method	Screw connection
Conductor cross section solid min.	0.2 mm <sup>2</sup>
Conductor cross section solid max.	2.5 mm <sup>2</sup>
Conductor cross section stranded min.	0.2 mm <sup>2</sup>
Conductor cross section stranded max.	2.5 mm <sup>2</sup>
Conductor cross section AWG/kcmil min.	24
Conductor cross section AWG/kcmil max	14
Stripping length	8 mm
Screw thread	M3

#### General data

Width	22.5 mm
Height	99 mm
Depth	114.5 mm
Maximum temperature coefficient	< 0.02 %/K
Step response (10-90%)	40 ms

Ambient temperature (operation)	-20 °C ... 65 °C
Degree of protection	IP20
Surge voltage category	III
Pollution degree	2
Rated insulation voltage	300 V AC (to earth)
Test voltage input/output	4 kV (50 Hz, 1 min.)
Test voltage input/power supply	4 kV (50 Hz, 1 min.)
Color	green
Housing material	Polyamide PA non-reinforced
Mounting position	Any
Conformance	CE-compliant

### Certificates / Approvals

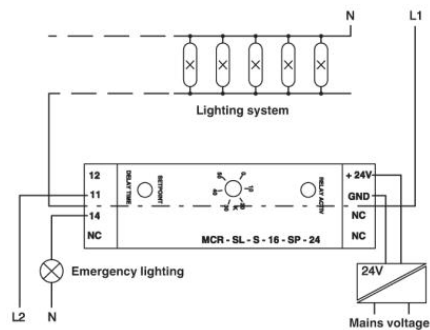


Certification

CUL, GOST, UL

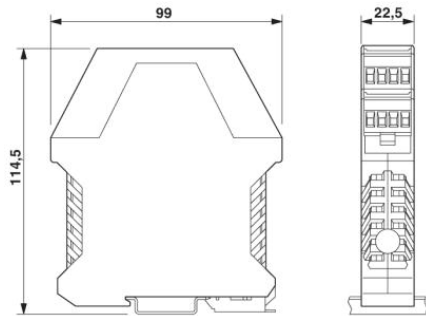
### Diagrams/Drawings

Application drawing

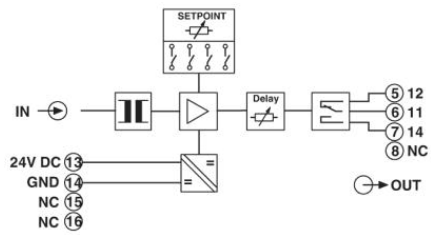


Lighting system with emergency lighting

Dimensioned drawing



Circuit diagram



**Address**

PHOENIX CONTACT Inc., USA  
586 Fulling Mill Road  
Middletown, PA 17057, USA  
Phone (800) 888-7388  
Fax (717) 944-1625  
<http://www.phoenixcon.com>



© 2011 Phoenix Contact  
Technical modifications reserved;