

IB IL 24 PWR IN/F-D-PAC

Order No.: 2861894


The illustration shows the version IB IL 24 PWR IN/F-D-PAC



<http://eshop.phoenixcontact.de/phoenix/treeViewClick.do?UID=2861894>


Inline power terminal block, complete with accessories (connector and labeling field), 24 V DC, with fuse (Main voltage) and diagnostics



Commercial data	
GTIN (EAN)	 4 017918 894597
sales group	K417
Pack	1 pcs.
Customs tariff	85389091

Product notes

WEEE/RoHS-compliant since:
06/29/2006



<http://www.download.phoenixcontact.com>
 Please note that the data given here has been taken from the online catalog. For comprehensive information and data, please refer to the user documentation. The General Terms and Conditions of Use apply to Internet downloads.

Technical data	
Interfaces	
Connection method	8-pos. Inline power connector
Interface	Supply voltage
Power supply	
Communications power U_L	7.5 V DC (via voltage jumper)

Typical current consumption	30 mA
Peripherals voltage range	19.2 V DC ... 30 V DC (including all tolerances, including ripple)
Max. current consumption	4 A

General data

Type of protection	Polarity protection, surge protection
Width	12.2 mm
Height	119.8 mm
Depth	71.5 mm

Certificates / Approvals



Certification	CUL, GOST, UL
Certification Ex:	CUL-EX LIS, UL-EX LIS

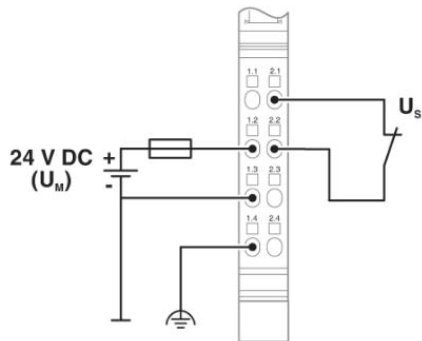
Accessories

Item	Designation	Description
0809492	ESL 62X10	Insert strip for laser printer, lettering field: 62 x 10 mm

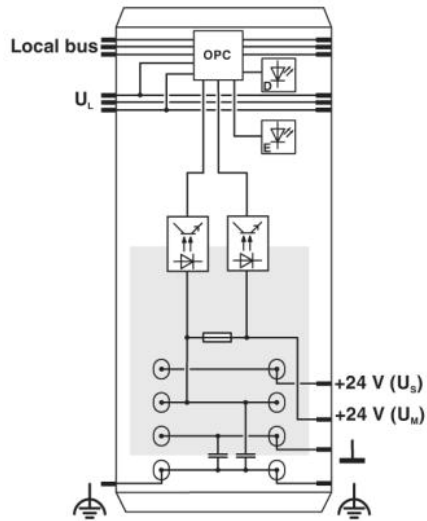
Marking

Diagrams/Drawings

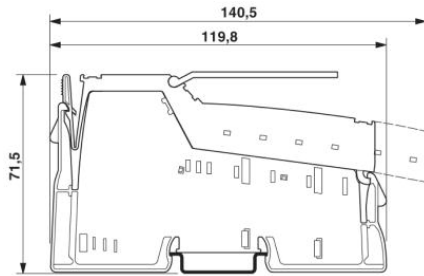
Connection diagram



Block diagram



Dimensioned drawing



Address

PHOENIX CONTACT Inc., USA
586 Fulling Mill Road
Middletown, PA 17057, USA
Phone (800) 888-7388
Fax (717) 944-1625
<http://www.phoenixcon.com>



© 2011 Phoenix Contact
Technical modifications reserved;