

# POWER CORDS



## ORION PART NUMBER CODE:

	1	2	3	4	5	6	7
Example	2	4	1	3	1	67	01

3 Conductors Unshielded, 14 Gauge, SJT, 5-15P Straight, C-13 Straight, 6'7", Black

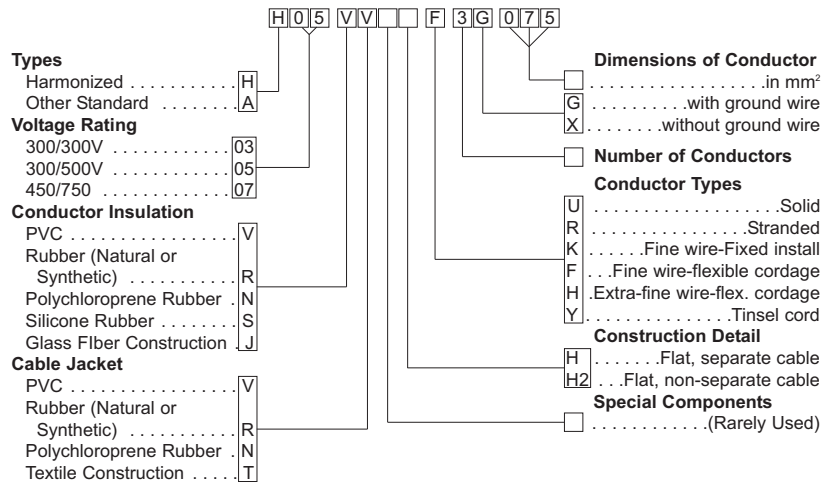
- |                                |                      |
|--------------------------------|----------------------|
| 1: Number of Conductors        | 5: Connector         |
| 1 = 2 Conductors               | 0 = None             |
| 2 = 3 Conductors Unshielded    | 1 = C-13 Straight    |
| 3 = 3 Conductors Shielded      | 2 = C-13 Right Angle |
| 2: AWG                         | 3 = C-14             |
| 2 = 12 Gauge                   | 4 = C-15             |
| 4 = 14 Gauge                   | 5 = C-19             |
| 6 = 16 Gauge                   | 6 = C-17             |
| 8 = 18 Gauge                   | 7 = 022A             |
| A = .75mm                      | 8 = 002-2            |
| B = 1.0mm                      | 6: Length            |
| C = 1.5mm                      | 18 = 1'8"            |
| 3: Cord Type:                  | 33 = 3'3"            |
| 1 = SJT                        | 50 = 5'0"            |
| 2 = SVT                        | 60 = 6'0"            |
| 3 = SPT-1                      | 67 = 6'7"            |
| 4 = SJO                        | 76 = 7'6"            |
| 6 = H03VV-F                    | 80 = 8'0"            |
| 7 = H03VVH2-F                  | 910 = 9'10"          |
| 8 = H05VV-F                    | 100 = 10'0"          |
| 4: Plug                        | 160 = 16'0"          |
| 0 = None                       | 7: Color Code        |
| 1 = 1-15 Standard              | 01 = Black           |
| 2 = 1-15P Polarized            | 02 = Brown           |
| 3 = 5-15P Straight             | 03 = Gray            |
| 4 = 5-15P Right Angle          | 05 = White           |
| 5 = 5-15P Hospital Grade Clear |                      |
| 6 = 5-15P Hospital Grade Gray  |                      |
| 7 = C-14                       |                      |
| 8 = 6-15P                      |                      |
| 9 = 5-20P                      |                      |
| A = 003A Europe                |                      |
| B = 006B Europe                |                      |
| C = 010 Europe                 |                      |
| D = 010A Europe                |                      |
| E = 012A UK                    |                      |
| F = 015 Australia              |                      |
| G = 019 Europe                 |                      |

## INTERNATIONAL CORDAGE TYPES

Cord Type	AWG/Size	No. of Conductors	Temp. Std.	Rating °C Special	Voltage Rating	Description
SJT	18 - 14	3	60	75, 90, 105	300	Service Junior Thermoplastic
SVT	18 - 14	3	60	75, 90, 105	300	Service Vacuum Thermoplastic
SPT-1	18	2 or 3	60	75, 90, 105	300	Service Parallel Thermoplastic 1/64" Insulation
SPT-2	18 - 16	2 or 3	60	75, 90, 105	300	Service Parallel Thermoplastic 2/64" Insulation
SPT-3	18 - 10	2 or 3	60	75, 90, 105	300	Service Parallel Thermoplastic 3/64" Insulation
SJTW-A	18 - 14	3	60	75, 90, 105	300	Service Junior Thermoplastic - Outdoor Use
HPN	18 - 16	2 or 3	90	105	300	Heater Parallel Neoprene

Note: SJ, SJD, SJTO, SO, SV and SVO cordage is available by special order. Minimums may apply.

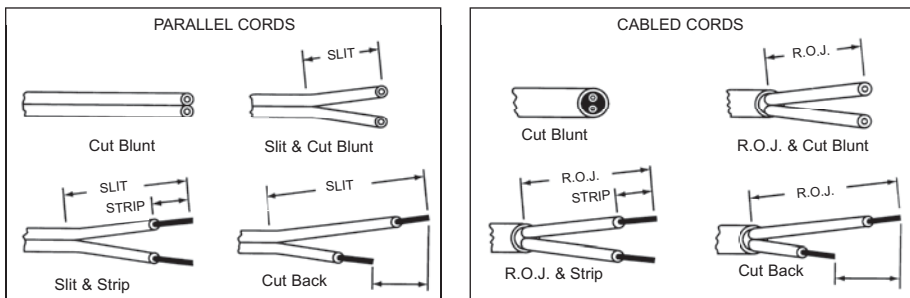
## INTERNATIONAL CORDAGE TYPES



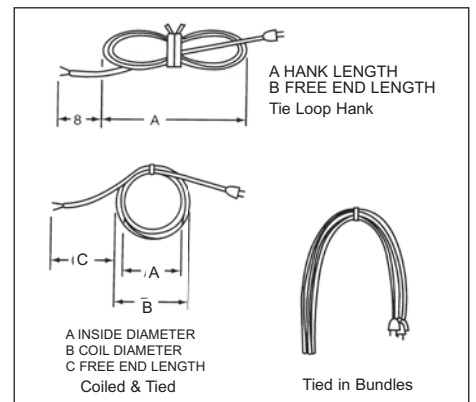
## INTERNATIONAL APPROVALS:



## END CUTS



## STANDARD PUT-UPS





## 2 CONDUCTOR POWER CORDS



ORION Part Number	AWG	Cord Type	Length	NEMA Plug	NEMA Connector	Rating Amps @125VAC
18320-60-01	18	SPT-1	6'0"	1-15P	—	10
18320-90-01	18	SPT-1	9'0"	1-15p	—	10

5-15



## 3 CONDUCTOR POWER CORDS UNSHIELDED



5-20



6-15



ORION Part Number	AWG	Cord Type	Length	NEMA Plug	NEMA Connector	Rating Amps @125VAC
24130-67-01	14	SJT	6'7"	5-15P	—	15
24130-910-01	14	SJT	9'10"	5-15P	—	15
26130-67-01	16	SJT	6'7"	5-15P	—	13
26130-910-01	16	SJT	9'10"	5-15P	—	13
26180-910-01	16	SJT	9'10"	6-15P	—	13
26190-910-01	16	SJT	9'10"	5-20P	—	13
28180-910-01	18	SJT	9'10"	6-15P	—	13
28190-910-01	18	SJT	9'10"	5-20P	—	13
28130-67-01	18	SJT	6'7"	5-15P	—	10
28130-80-01	18	SJT	8'0"	5-15P	—	10
28130-910-01	18	SJT	9'10"	5-15P	—	10
28230-67-01	18	SVT	6'7"	5-15P	—	10
28230-910-01	18	SVT	9'10"	5-15P	—	10



ORION Part Number	AWG	Cord Type	Length	NEMA Plug	NEMA Connector	Rating Amps @125VAC
24131-67-01	14	SJT	6'7"	5-15P	C-13	15
24131-910-01	14	SJT	9'10"	5-15P	C-13	15
26131-67-01	16	SJT	6'7"	5-15P	C-13	13
26131-76-01	16	SJT	7'6"	5-15P	C-13	13
26131-910-01	16	SJT	9'10"	5-15P	C-13	13
28131-67-01	18	SJT	6'7"	5-15P	C-13	10
28131-76-01	18	SJT	7'6"	5-15P	C-13	10
28131-910-01	18	SJT	9'10"	5-15P	C-13	10
28231-76-01	18	SVT	7'6"	5-15P	C-13	10
26151-80-03	16	SJT	8'0"	5-15P	C-13	13
26151-100-03	16	SJT	10'0"	5-15P	C-13	13
26161-80-03	16	SJT	8'0"	5-15P	C-13	13
26161-100-03	16	SJT	10'0"	5-15P	C-13	13
26161-140-03	16	SJT	14'0"	5-15P	C-13	13



ORION Part Number	AWG	Cord Type	Length	NEMA Plug	NEMA Connector	Rating Amps @125VAC
28232-76-01	18	SVT	7'6"	5-15P	C-13	10
26132-76-01	16	SJT	7'6"	5-15P	C-13	13
28132-76-01	18	SJT	7'6"	5-15P	C-13	10



## 3 CONDUCTOR POWER CORDS UNSHIELDED



ORION Part Number	AWG	Cord Type	Length	NEMA Plug	NEMA Connector	Rating Amps @125VAC
26171-33-01	16	SJT	3'3"	C-14	C-13	13
28171-33-01	18	SJT	3'3"	C-14	C-13	10
28271-33-01	18	SVT	3'3"	C-14	C-13	10



ORION Part Number	AWG	Cord Type	Length	NEMA Plug	NEMA Connector	Rating Amps @125VAC
26101-67-01	16	SJT	6'7"	—	C-13	13
26101-910-01	16	SJT	9'10"	—	C-13	13
28101-67-01	18	SJT	6'7"	—	C-13	10
28101-910-01	18	SJT	9'10"	—	C-13	10
28201-76-01	18	SVT	7'6"	—	C-13	10



ORION Part Number	AWG	Cord Type	Length	NEMA Plug	NEMA Connector	Rating Amps @125VAC
26102-67-01	16	SJT	6'7"	—	C-13	13
26102-910-01	16	SJT	9'10"	—	C-13	13
28102-67-01	18	SJT	6'7"	—	C-13	10
28102-910-01	18	SJT	9'10"	—	C-13	10

## 3 CONDUCTOR POWER CORDS HOSPITAL GRADE UNSHIELDED NORTH AMERICAN COLOR CODE



ORION Part Number	AWG	Cord Type	Length	NEMA Plug	NEMA Connector	Rating Amps @125VAC
28150-80-03	18	SJT	8'0"	5-15P	—	10
28150-100-03	18	SJT	10'0"	5-15P	—	10
28160-80-03	18	SJT	8'0"	5-15P	—	10
28160-100-03	18	SJT	10'0"	5-15P	—	10



ORION Part Number	AWG	Cord Type	Length	NEMA Plug	NEMA Connector	Rating Amps @125VAC
28151-80-03	18	SJT	8'0"	5-15P	C-13	10
28151-100-03	18	SJT	10'0"	5-15P	C-13	10
28161-80-03	18	SJT	8'0"	5-15P	C-13	10
28161-100-03	18	SJT	10'0"	5-15P	C-13	10



## 3 CONDUCTOR POWER CORDS SHIELDED



ORION Part Number	AWG	Cord Type	Length	NEMA Plug	NEMA Connector	Rating Amps @125VAC
34131-67-01	14	SJT	6'7"	5-15P	C-13	15
34131-910-01	14	SJT	9'10"	5-15P	C-13	15
36131-67-01	16	SJT	6'7"	5-15P	C-13	13
36131-910-01	16	SJT	9'10"	5-15P	C-13	13
38131-67-01	18	SJT	6'7"	5-15P	C-13	10
38131-910-01	18	SJT	9'10"	5-15P	C-13	10
38231-67-01	18	SVT	6'7"	5-15P	C-13	10
38231-910-01	18	SVT	9'10"	5-15P	C-13	10



ORION Part Number	AWG	Cord Type	Length	NEMA Plug	NEMA Connector	Rating Amps @125VAC
36132-67-01	16	SJT	6'7"	5-15P	C-13	13
36132-910-01	16	SJT	9'10"	5-15P	C-13	13
38132-67-01	18	SJT	6'7"	5-15P	C-13	10
38132-910-01	18	SJT	9'10"	5-15P	C-13	10
38232-67-01	18	SVT	6'7"	5-15P	C-13	10
38232-910-01	18	SVT	9'10"	5-15P	C-13	10



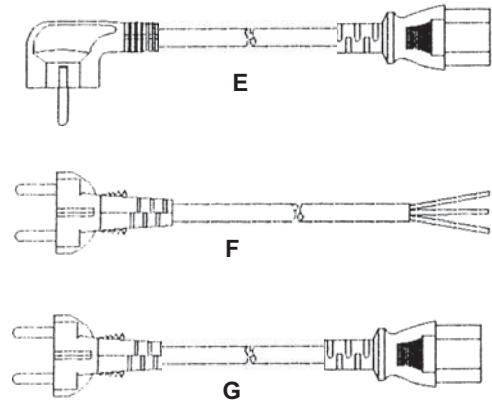
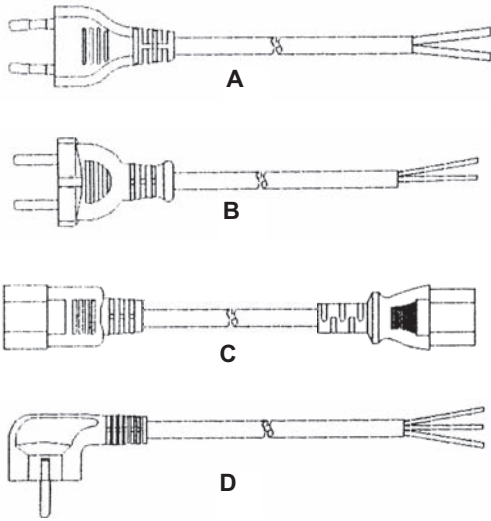
ORION Part Number	AWG	Cord Type	Length	NEMA Plug	NEMA Connector	Rating Amps @125VAC
36171-33-01	16	SJT	3'3"	C-14	C-13	13
38171-33-01	18	SJT	3'3"	C-14	C-13	10
38271-33-01	18	SVT	3'3"	C-14	C-13	10



ORION Part Number	AWG	Cord Type	Length	NEMA Plug	NEMA Connector	Rating Amps @125VAC
36101-67-01	16	SJT	6'7"	—	C-13	13
36101-910-01	16	SJT	9'10"	—	C-13	13
38101-67-01	18	SJT	6'7"	—	C-13	10
38101-910-01	18	SJT	9'10"	—	C-13	10
38201-67-01	18	SVT	6'7"	—	C-13	10
38201-910-01	18	SVT	9'10"	—	C-13	10

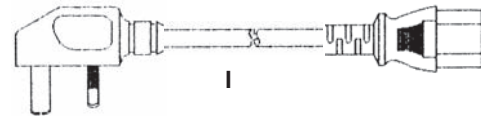
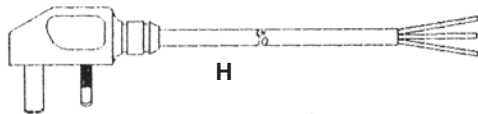


ORION Part Number	AWG	Cord Type	Length	NEMA Plug	NEMA Connector	Rating Amps @125VAC
36102-67-01	16	SJT	6'7"	—	C-13	13
36102-910-01	16	SJT	9'10"	—	C-13	13
38102-67-01	18	SJT	6'7"	—	C-13	10
38102-910-01	18	SJT	9'10"	—	C-13	10
38202-67-01	18	SVT	6'7"	—	C-13	10
38202-910-01	18	SVT	9'10"	—	C-13	10



## EUROPE

Fig.	ORION Number	Cond MM	Cord Type	Length	Plug	Conn	Amps 250VAC
A	1A6B020-01	2X.75	H03VV-F	2.0M	006B	—	2.5
B	1A7G020-01	2X.75	H03VVH2-F	2.0M	019	—	6
C	2B8A825-01	3X1.0	H05VV-F	2.5M	003A	002-2	10
D	2B8C025-01	3X1.0	H05VV-F	2.5M	010	—	10
E	2B8C825-01	3X1.0	H05VV-F	2.5M	010	002-2	10
F	2B8D025-01	3X1.0	H05VV-F	2.5M	010A	—	10
G	2B8D825-01	3X1.0	H05VV-F	2.5M	010A	002-2	10



## UNITED KINGDOM

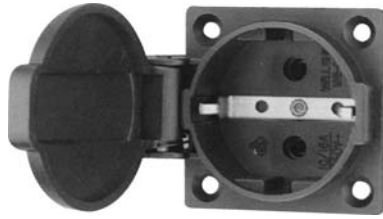
Fig.	ORION Number	Cond MM	Cord Type	Length	Plug	Conn	Amps 250VAC
H	2B8E025-01	3X1.00	H05VV-F	2.5M	012A	—	10
I	2B8E825-01	3X1.00	H05VV-F	2.5M	012A	002-2	10



## AUSTRALIA

Fig.	ORION Number	Cond MM	Cord Type	Length	Plug	Conn	Amps 250VAC
J	2B8F025-01	3X1.00	H05VV-F	2.5M	015	—	10
K	2B8F825-01	3X1.00	H05VV-F	2.5M	015	002-2	10

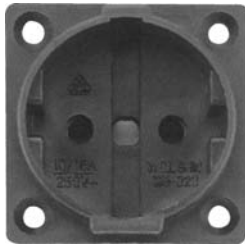
# RECEPTACLES



P/N: 023-C



P/N: 044-0  
C-18



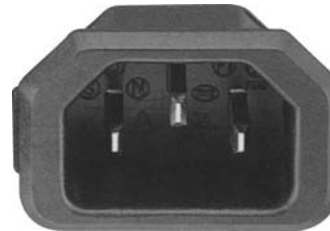
P/N: 023-D



P/N: 044-1  
C-14



P/N: 042  
C-13



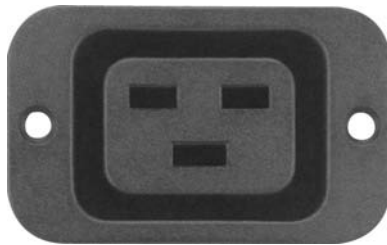
P/N: 044-2  
C-14



P/N: 042-1  
C-13



P/N: 044-3  
C-14



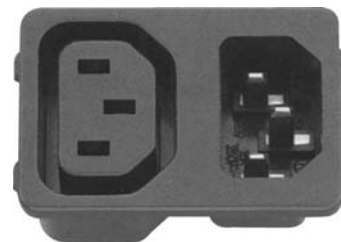
P/N: 043  
C-19



P/N: 044-4  
C-14



P/N: 044  
C-14



P/N: 044-5  
C-13 & C-14

# PLUG CONFIGURATIONS



# NEMA

VOLTAGE	NEMA	15 AMPERE		20 AMPERE		30 AMPERE		50 AMPERE		60 AMPERE	
		Receptacle	Plug	Receptacle	Plug	Receptacle	Plug	Receptacle	Plug	Receptacle	Plug
125V	1										
250V	2										
125V	5										
250V	6										
277V, A.C.	7										
125/250V	10										
3Ø250V	11										
125/250V	14										
3Ø250V	15										
3ØY	19										

VOLTAGE	NEMA	15 AMPERE		20 AMPERE		30 AMPERE	
		Receptacle	Plug	Receptacle	Plug	Receptacle	Plug
125V	L1						
250V	L2						
125V	L5						
250V	L6						
277V, A.C.	L7						
480V	L8						
600V	L9						

# IEC POWER INLETS



RATED AMPERAGE	EQUIPMENT CLASS	MAXIMUM TEMPERATURE	Male		Female	
			Male	Female	Male	Female
0.2	II	65°C				
2.5	0	65°C				
2.5	I	65°C				
2.5	II	65°C				
6	II	65°C				
10	0	65°C				
10	I	65°C				
10	I	120°C				
10	II	65°C				
16	I	65°C				
16	I	155°C				
16	II	65°C				

The above illustrations are included to show pin configurations and arrangements. Each configuration is available in several different "styles" of plugs including right angle, hospital-grade, shrouded, etc. Please call us if you need additional information or would like help selecting an appropriate connector for your application.



## Assembled Rewirable Connectors

Any cord length is now available on the spot with Orion rewirable Assembled plug heads and connectors. If our standard molded cord sets are not the correct length for your application, just purchase one of our longer cords, cut to size and use one of our assembled rewirable plugs or connectors for the perfect fit! The NEMA 5-15P, IEC320 C-13 and IEC320 C-14 configurations are all available. Knight Electronics and ORION can make any type of custom cables or harnesses exactly to your specifications. Please provide detailed information on the form provided in this catalog. Knight Electronics power cords are guaranteed against defects in workmanship and materials for 1 year and are available nationwide from our family of authorized distributors. Please call 800-323-2439 if you would like to speak to a sales representative.